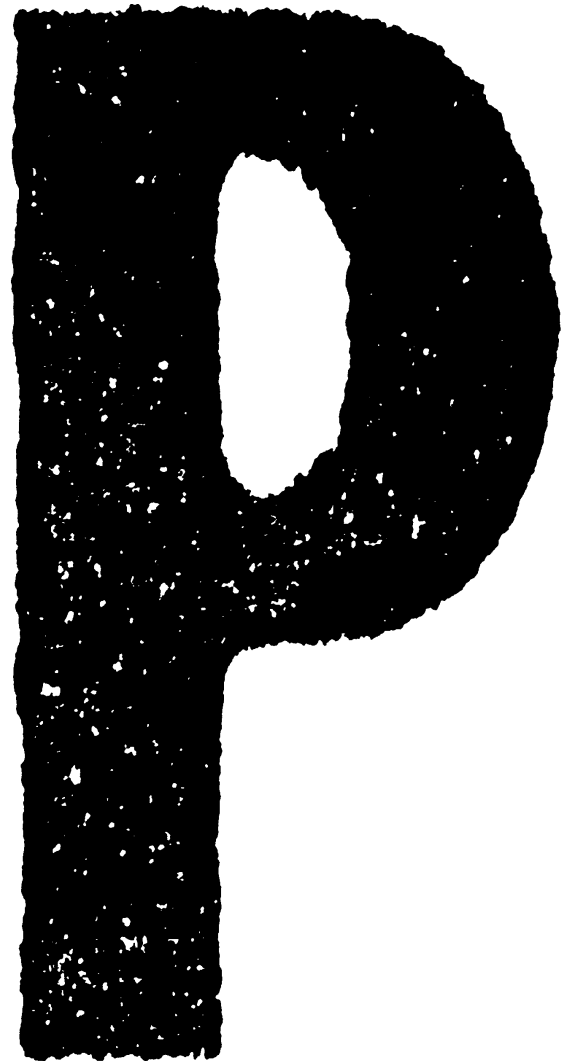


TOSHIBA

SERVICE PARTS LIST
FINISHER

MJ-1019/1020



Copyright 2002

TOSHIBA TEC CORPORATION

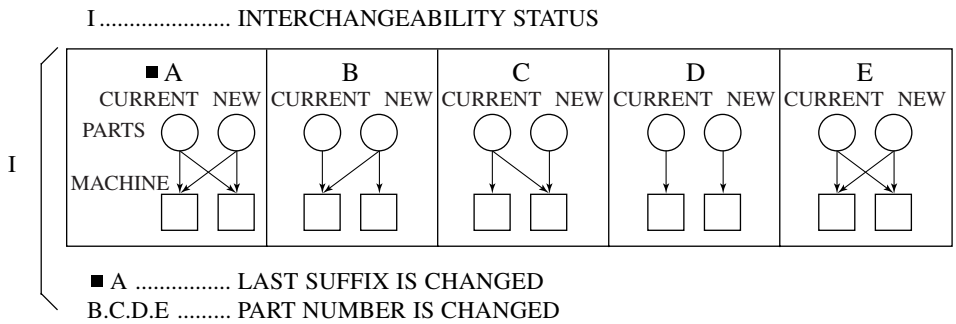
EXPLANATION OF SERVICE-PARTS LIST

1. HOW TO READ THE PARTS LIST

- (1) Number of pieces
The number of pieces in the list denotes total pieces used per unit. But the numbers in the list for PACKING MATERIAL and ACCESSORY denote total pieces used per machine.
- (2) One pack of screws in the list includes 50 pieces.
- (3) ABBREVIATED CODES

| | | | |
|-----------|---------------|------------|---|
| QTY/PAC | { | QTY | one piece |
| | | PAC | one pack |
| | | 1/P | one piece packed in polyethylene bag |
| | | 1/S | one piece packed in special pack |
| | | 1/C | one piece packed in carton box |
| | | 1/PP | one piece packed in paper and polyethylene bag |
| | | 1/KP | one piece packed in polyethylene bag with cardboard |
| | | 1/D | one piece packed in polyethylene-cushion bag |
| N/A | not available | | |

| | | | |
|---|---|---------|-------------|
| P | { | P | PURPOSE |
| | | A | ADD |
| | | B | DELETE |
| | | C | CHANGE |
| | | D | QTY, CHANGE |
| | | E | MISENTRY |
| | | F | OMISSION |



2. HOW TO PLACE ORDER FOR PARTS

- (1) The parts handled as service parts are only those with their "QTY/PACK" column listed with a quantity other than "N/A***" or "SUPPLY".
Those parts with "N/A***" are listed only for the purpose of showing the mechanical construction, those listed with "SUPPLY" are handled only as a sales item, and therefore both types of parts are not supplied as service parts.
- (2) Orders for any parts which form a component of a semi-assembled unit are not acceptable.
Note: All the screws and nuts used are ISO standard.

3. REGION

| | |
|-----------|-------------------------|
| NAD | 115V/60Hz, UL & CSA |
| TWD | 110V/60Hz, TAIWAN |
| SAD | 127V/60Hz, SAUDI ARABIA |
| ASD | 220V |
| | 50/60Hz, ASIA, etc. |
| AUD | 240V/50Hz, AUSTRALIA |
| MJD | 230-240V |
| | 50/60Hz, EUROPE |
| UKD | 230-240V |
| | 50/60Hz, UNITED KINGDOM |

NOTICE EXPLICATIVE DE LA LISTE DES PIECES DE RECHANGE

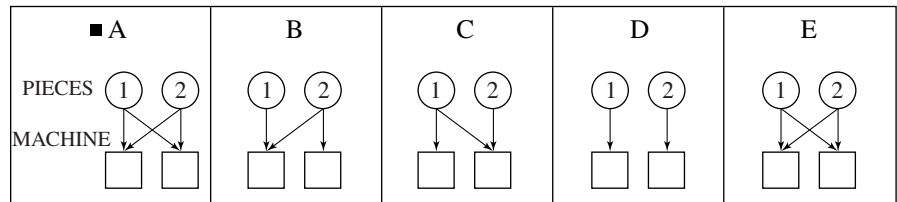
1. COMMENT UTILISER LA LISTE DES PIECES DE RECHANGE

- (1) Nombre de pièces
Le nombre de pièces indiqué sur la liste est le nombre total de pièces utilisées pour chaque unité.
Toutefois, le nombre indiqué sur la liste EMBALLAGE ACCESSOIRES est le nombre total de pièces utilisées pour chaque machine.
- (2) Un paquet de vis indiqué sur la liste contient 50 vis.
- (3) ABREVIATIONS

| | | | |
|----------|--------------|-------------------------|---|
| | QTY | une pièce | |
| | PAC | un paquet | |
| Q'TY/PAC | { | 1/P | une pièce emballée dans un sac en polyéthylène |
| | | 1/S | une pièce emballée dans un sac spécial |
| | | 1/C | une pièce emballée dans une boîte en carton |
| | | 1/PP | une pièce emballée dans un sac en papier et en polyéthylène |
| | | 1/KP | une pièce emballée dans un sac en polyéthylène avec carton |
| | | 1/D | une pièce emballée dans un sac rembourré en polyéthylène |
| | 1/SB | une pièce emballée dans | |
| | N/A*** | non disponible | |

| | | | |
|---|---------|---------|------------------------|
| | P | BUT | |
| P | { | A | AJOUTER |
| | | B | SUPPRIMER |
| | | C | MODIFIER |
| | | D | CHANGEMENT DE QUANTITE |
| | | E | INSCRIPTION ERRONEE |
| | | F | OMISSION |

I INTERCHANGEABILITE



- ① ACTUELLE ② NOUVELLE
- A LE DERNIER SUFFIXE EST CHANGE
B.C.D.E LE NOMBRE DE PIECES EST CHANGE

2. COMMENT COMMANDER LES PIECES

- (1) Les pièces de rechange sont uniquement celles qui sont mentionnées dans la colonne "Q'TY/PACK" avec une quantité autre que "N/A***" ou "SUPPLY".
Les pièces dans la colonne "N/A***" sont mentionnées uniquement dans le but d'indiquer la construction mécanique. Les pièces dans la colonne "SUPPLY" sont destinées uniquement à la vente. Par conséquent, ces deux types de pièces ne sont pas fournies en tant que pièces de rechange.
- (2) Les commandes de toute pièce formant un élément ou une unité semi-assemblée ne seront pas acceptées.
Nota: Toutes les vis et tours le écrous seront conformes au code ISO.

3. PAYS

| | |
|-----------|----------------------------|
| NAD | 115V/60Hz, UL & CSA |
| TWD | 110V/60Hz, TAIWAN |
| SAD | 127V/60Hz, ARABIE SAOUDITE |
| ASD | 220V |
| | 50/60Hz, ASIE, etc. |
| AUD | 240V/50Hz, AUSTRALIE |
| MJD | 230-240V |
| | 50/60Hz, EUROPE |
| UKD | 230-240V |
| | 50/60Hz, ROYAUME-UNI |

ERKLÄRUNG DES ERSATZTEIL-KATALOGES

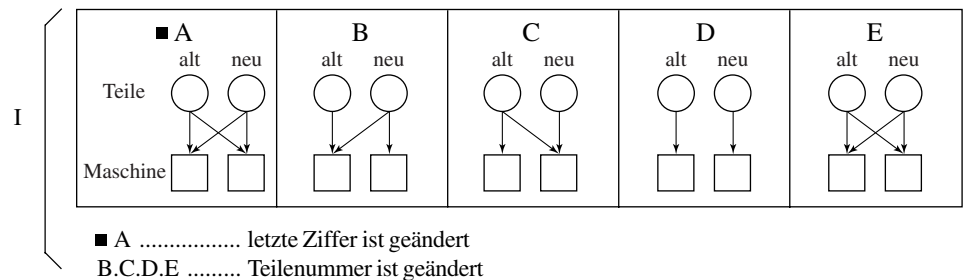
1. WIE LIEST MAN DIE TEILELISTE?

- (1) Die Teileanzahl
Die Anzahl der Teile in der Liste, drücken die gesamten Teile pro Verpackungseinheit aus. Aber die Zahl in der Liste "Packing" (Verpackung) und "Accessory" (Zubehör) beschreibt die gesamte Teileanzahl pro Maschine.
- (2) Eine Verpackungseinheit SCHRAUBEN enthält 50 Stück.
- (3) Abkürzungen sind

| | | | |
|------------|--------------------------------|------------|---|
| QTY/PAC | { | QTY | Stück |
| | | PAC | Packung |
| | | 1/P | ein Stück in einem Plastikbeutel |
| | | 1/S | ein Stück in einer Spezialverpackung |
| | | 1/C | ein Stück in einem Karton |
| | | 1/PP | ein Stück in Papier und einem Plastikbeutel |
| | | 1/KP | ein Stück in einem Plastikbeutel mit Pappdeckel |
| | | 1/D | ein Stück in einem gepolsterten Plastikbeutel |
| N/A | nicht lieferbar | | |
| 1/SB | ein Stück in einer Schutzhülle | | |

| | | | |
|---|---|---------|----------------|
| P | { | P | Zweck |
| | | A | Zusätzlich |
| | | B | Entfernen |
| | | C | Ändern |
| | | D | Menge geändert |
| | | E | Fehlangabe |
| | | F | Weglassen |

I Austauschbar untereinander



2. WIE WERDEN ERSATZTEILE BESTELLT?

- (1) Die Ersatzteile für den Service haben in der Spalte "QTY/PACK" eine Nummer.
Die Teile mit der Angabe "N/A***" sind nur aufgeführt, um die technische Konstruktion zu zeigen und sind einzeln nicht lieferbar.
Die Bezeichnung "SUPPLY" weist darauf hin, daß dieses Teil als Zubehör gehandelt wird und beim Verkauf bestellt werden muß.
- (2) Bestellungen für Einzelteile, die einer Baueinheit angehören können nicht akzeptiert werden.
Hinweis: Alle Schrauben und Muttern werden nach dem ISO-Standard hergestellt.

3. REGION

| | |
|-----------|--------------------------------------|
| NAD | 115V/60Hz, UL & CSA |
| TWD | 110V/60Hz, TAIWAN |
| SAD | 127V/60Hz, SAUDI-ARABIEN |
| ASD | 220V 50/60Hz, ASIEN, usw. |
| AUD | 240V/50Hz, AUSTRALIEN |
| MJD | 230-240V 50/60Hz, EUROPA |
| UKD | 230-240V 50/60Hz, GROSSBRITANNIEN |

SPIEGAZIONE DELLA LISTA DEI PEZZI DI RICAMBIO

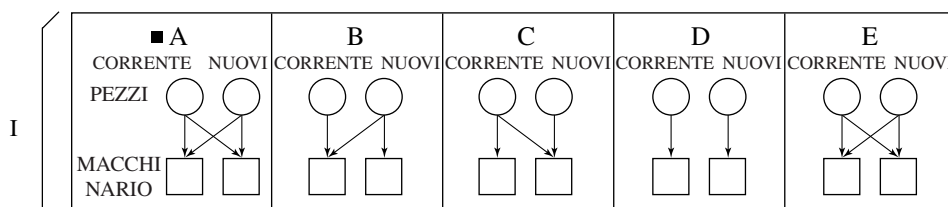
1. COME LEGGERE LA LISTA DEI PEZZI DI RICAMBIO

- (1) Numero dei pezzi
Il numero dei pezzi indica il totale dei pezzi per elemento. I numeri nella lista del materiale d'imballaggio e accessori indicano il totale dei pezzi per macchina.
- (2) Nella lista, un pacco di viti contiene 50 viti.
- (3) ABBREVIAZIONI

| | | | |
|---------|------------|---|--|
| QTY/PAC | { | QTY | un pezzo |
| | | PAC | un pacco |
| | | 1/P | un pezzo imballato in sacco di polietilene |
| | | 1/S | un pezzo imballato in pacco speciale |
| | | 1/C | un pezzo imballato in scatola di cartone |
| | | 1/PP | un pezzo imballato in sacco di polietilene e carta |
| | | 1/KP | un pezzo imballato in sacco di polietilene con cartone |
| | | 1/D | un pezzo imballato in sacco morbido di polietilene |
| | 1/SB | un pezzo imballato in sacco di protezione | |
| | N/A | non disponibile | |

| | | | |
|---|---|---------|-----------------|
| P | { | P | scopo |
| | | A | aggiunta |
| | | B | annullamento |
| | | C | modifica |
| | | D | modifica QTY |
| | | E | ingresso errato |
| | | F | omissione |

I stato di intercambiabilità



■ A modifica dell'ultimo suffisso
B.C.D.E modifica del numero di pezzo

2. ORDINAZIONE DEI PEZZI

- (1) I pezzi usati come pezzi di ricambio sono elencati nella colonna "QTY/PACK" con una quantità differente da "N/A****" o "SUPPLY".
I pezzi con "N/A****" sono elencati solamente per mostrare la costruzione meccanica e quelli con "SUPPLY" sono elencati solamente come articoli di vendita: ciò significa che questi due tipi di pezzi non sono forniti come pezzi di ricambio.
- (2) L'ordinazione dei pezzi non viene accettata quando questi pezzi formano un componente di un messo elemento.
Nota: Tuttle le viti e i dadi sono standard ISO.

3. NAZIONE

| | |
|-----------|------------------------------------|
| NAD | 115V/60Hz, UL & CSA |
| TWD | 110V/60Hz, TAIWAN |
| SAD | 127V/60Hz, ARABIA SAUDITA |
| ASD | 220V 50/60Hz, ASIA, ecc. |
| AUD | 240V/50Hz, AUSTRALIA |
| MJD | 230-240V 50/60Hz, EUROPA |
| UKD | 230-240V 50/60Hz, GRAN BRETAGNA |

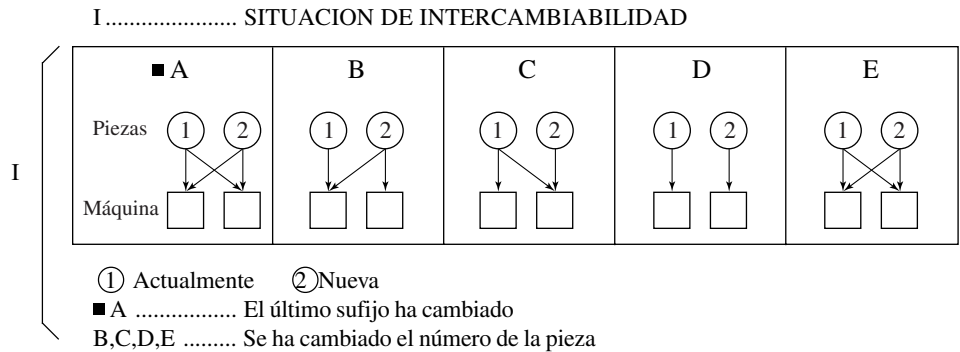
EXPLICACION DE LA LISTA DE PIEZAS DE SERVICIO

1. Cómo se lee la lista de piezas

- (1) El número de piezas
El número de piezas en la lista especifica las piezas totales usada pou unidad, mientras que el número en la lista para METERIAL DE EMBALAJE y ACCESORIOS especifica las piezas totales usadas por máquina.
- (2) En el paquete de tornillos se incluyen 50 unidades.
- (3) Códigos abreviados

| | | |
|---------|------------|--|
| QTY/PAC | QTY | una pieza |
| | PAC | una paquete |
| | 1/P | una pieza empaquetada en la bolsa de politileno |
| | 1/S | una pieza empaquetada en paquete especial |
| | 1/C | una pieza empaquetada en caja de cartón |
| | 1/PP | una pieza empaquetada en papel y bolsa de politileno |
| | 1/KP | una pieza empaquetada en bolsa de politileno con cartón |
| | 1/D | una pieza empaquetada en bolsa almohadillada de politileno |
| | 1/SB | una pieza empaquetada en una |
| | N/A | bolsa protegida |

| | | |
|---|---------|---------------------|
| P | P | PROPOSITO |
| | A | AÑADIR |
| | B | BORRAR |
| | C | CAMBIO |
| | D | CANTIDAD, CAMBIO |
| | E | ENTRADA ERRONEA |
| | F | OMISION |



2. Cómo realizar un pedido de piezas

- (1) Las piezas consideradas como piezas de servicio son sólo aquellas designadas con Q'TY/PACK y no las designadas con N/A ... o SUPPLY.
Aquellas piezas con N/A ... se ponen en lista sólo con el propósito de mostrar la construcción mecánlca. Aquéllas piezas designadas bajo SUPPLY se consideran sólo como un artículo para ventas y por lo tanto ambos tipos de piezas no se consideran como piezas de servicio.
- (2) Los pedidos para cualquier pieza que forme un componente de la unidad semiensamblada no será aceptados.
NOTA: todos los tornillos y tuercas son del estandar ISO.

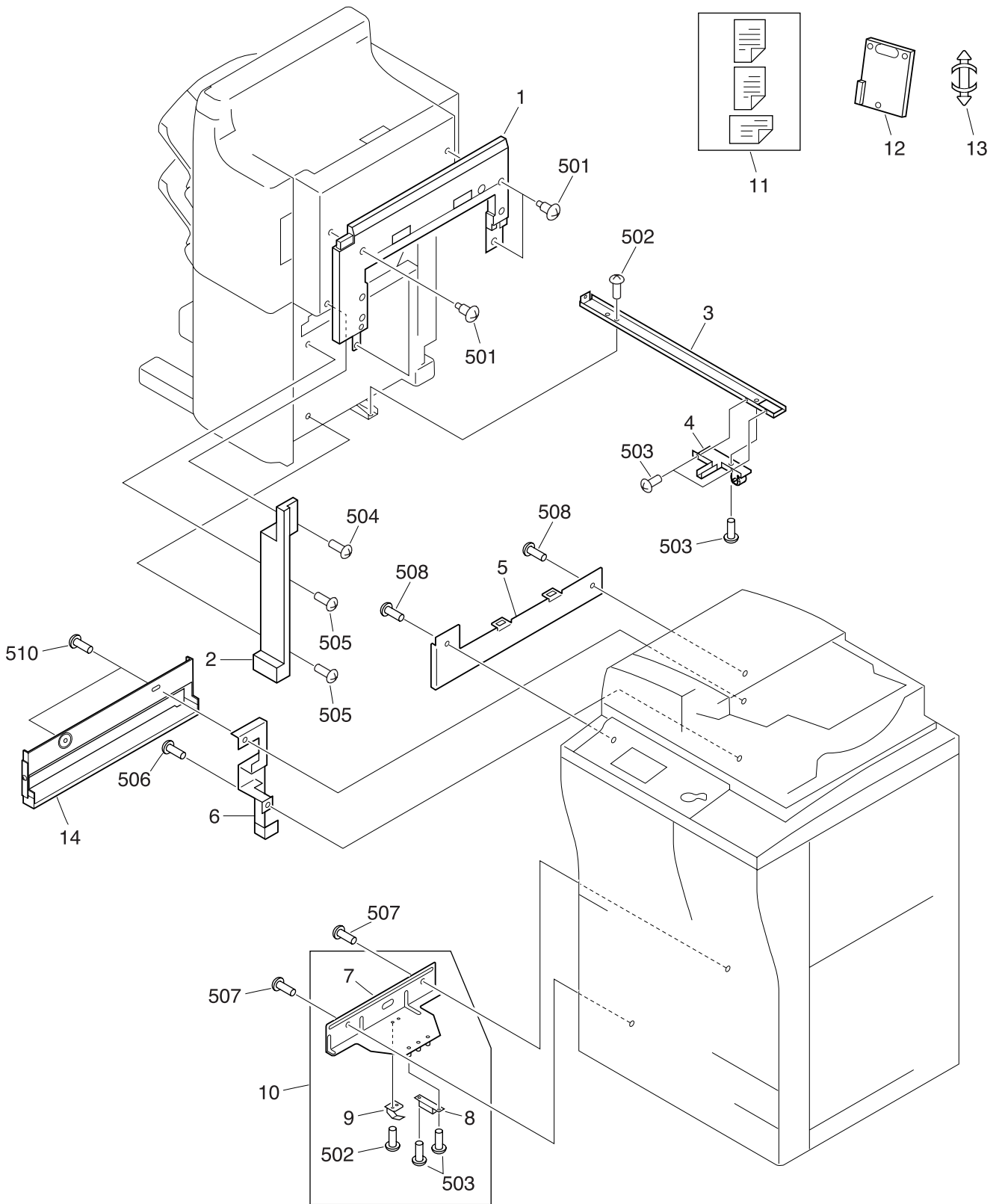
3. PAISES

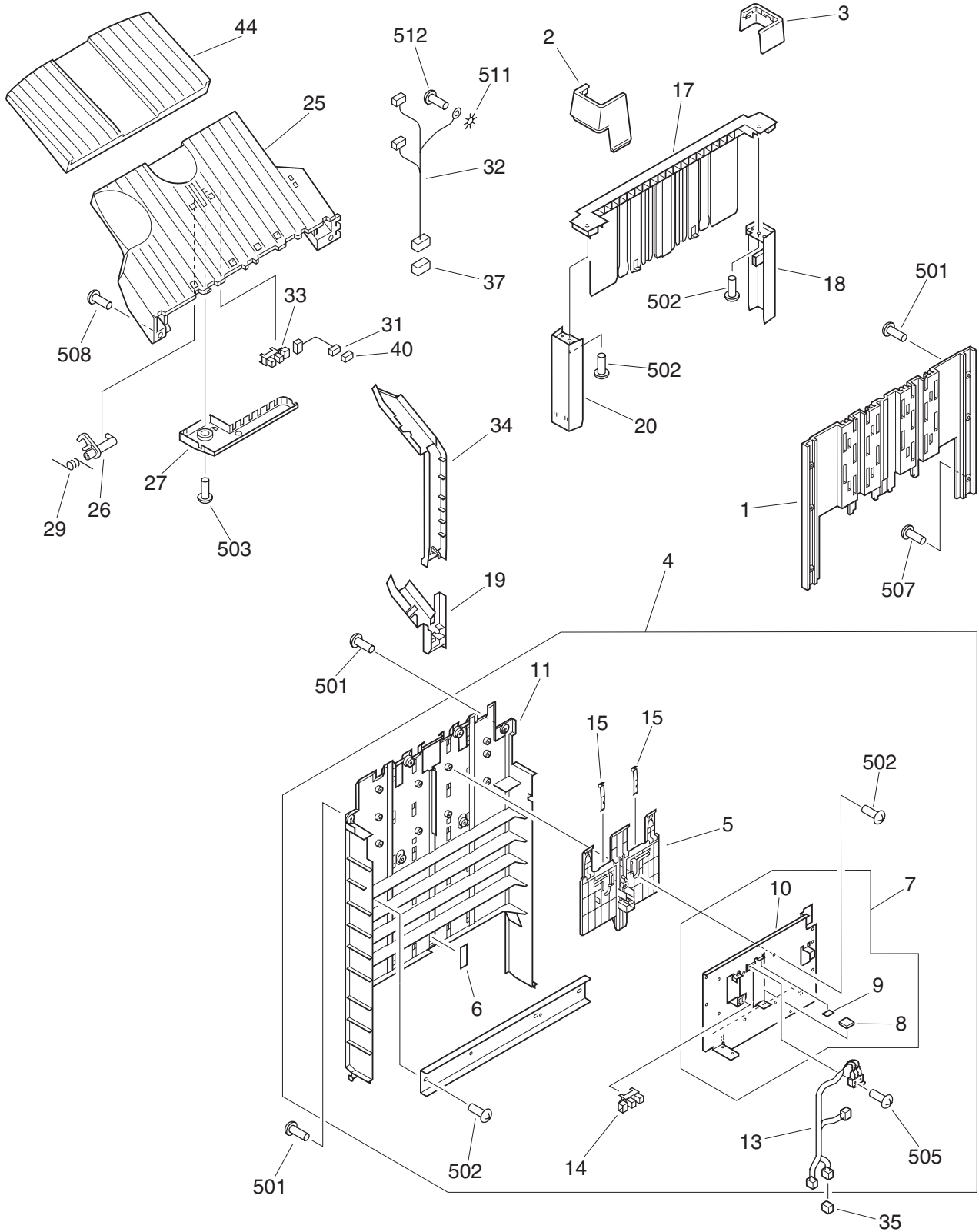
| | |
|-----------|-----------------------------------|
| NAD | 115V/60Hz, UL & CSA |
| TWD | 110V/60Hz, TAIWAN |
| SAD | 127V/60Hz, SAUDI ARABIA |
| ASD | 220V 50/60Hz, ASIA, etc. |
| AUD | 240V/50Hz, AUSTRALIA |
| MJD | 230-240V 50/60Hz, EUROPA |
| UKD | 230-240V 50/60Hz, GRAN BRETAÑA |

CONTENTS

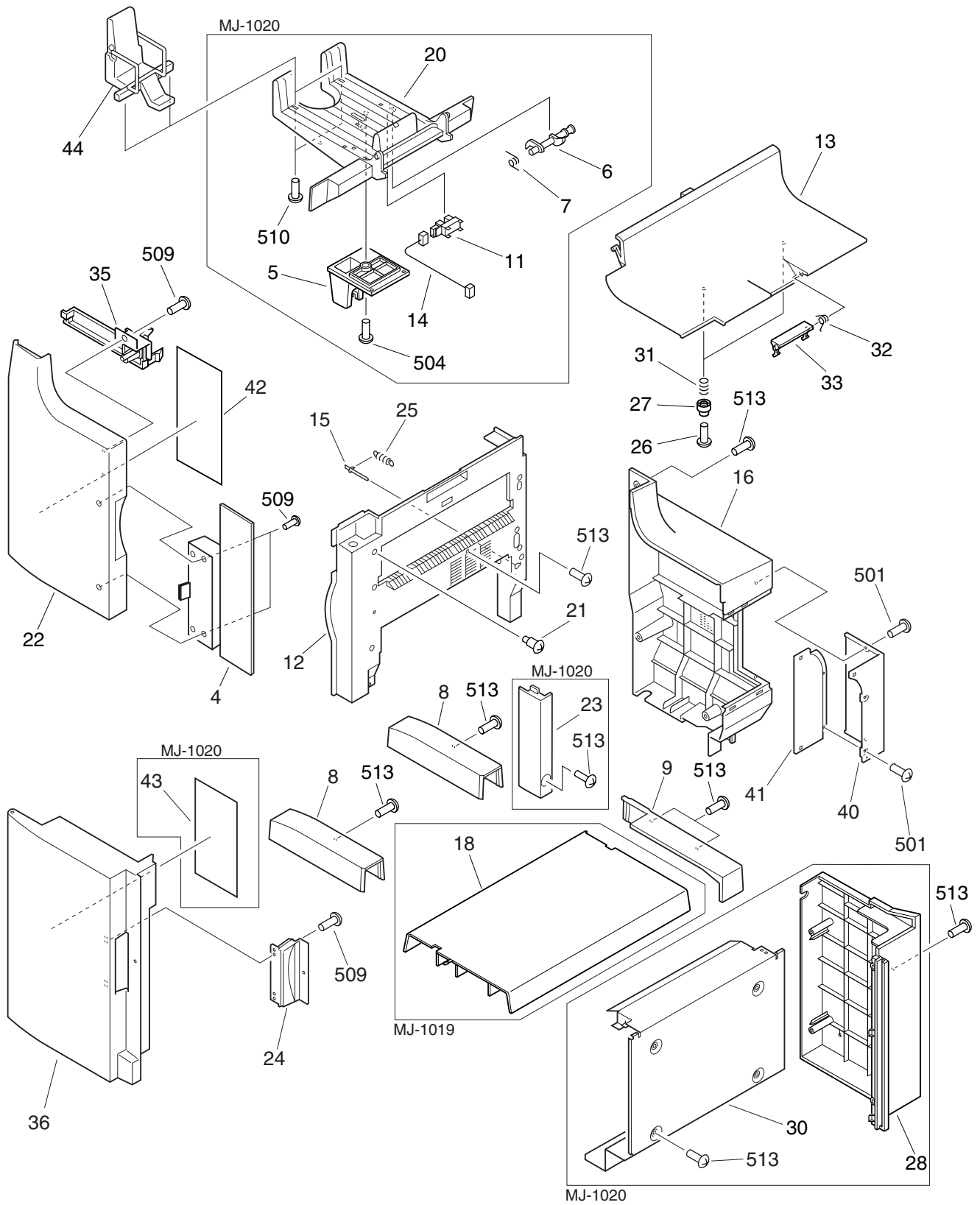
| | |
|---|----|
| ATTACHMENT PARTS | 1 |
| EXTERNAL COVERS, PANELS, ETC. (1/2) | 2 |
| EXTERNAL COVERS, PANELS, ETC. (2/2) | 3 |
| FINISHER MAIN BODY (1/2) | 4 |
| FINISHER MAIN BODY (2/2) | 5 |
| CABLE MAIN BODY ASSEMBLY | 7 |
| TRAY DRIVE ASSEMBLY | 8 |
| FEEDER DRIVE ASSEMBLY | 9 |
| FEEDER ASSEMBLY (1/2) | 10 |
| FEEDER ASSEMBLY (2/2) | 11 |
| CENTER FEEDER ASSEMBLY | 12 |
| BUFFER UPPER GUIDE ASSEMBLY | 14 |
| SWING ASSEMBLY | 15 |
| SWING GUIDE ASSEMBLY | 16 |
| STAPLER TRAY ASSEMBLY (1/2) | 17 |
| STAPLER TRAY ASSEMBLY (2/2) | 18 |
| STAPLER ASSEMBLY | 19 |
| SADDLE ASSEMBLY (1/4) (MJ-1020) | 20 |
| SADDLE ASSEMBLY (2/4) (MJ-1020) | 21 |
| SADDLE ASSEMBLY (3/4) (MJ-1020) | 22 |
| SADDLE ASSEMBLY (4/4) (MJ-1020) | 23 |
| SADDLE GUIDE ASSEMBLY (MJ-1020) | 24 |
| STAPLER ASSEMBLY (MJ-1020) | 25 |
| PASS LOWER GUIDE ASSEMBLY (MJ-1020) | 27 |
| INNER SIDE PLATE ASSEMBLY (MJ-1020) | 28 |
| MOTOR MOUNT ASSEMBLY (MJ-1020) | 29 |
| LATCH ASSEMBLY | 30 |

PARTSNUMBERINDEX

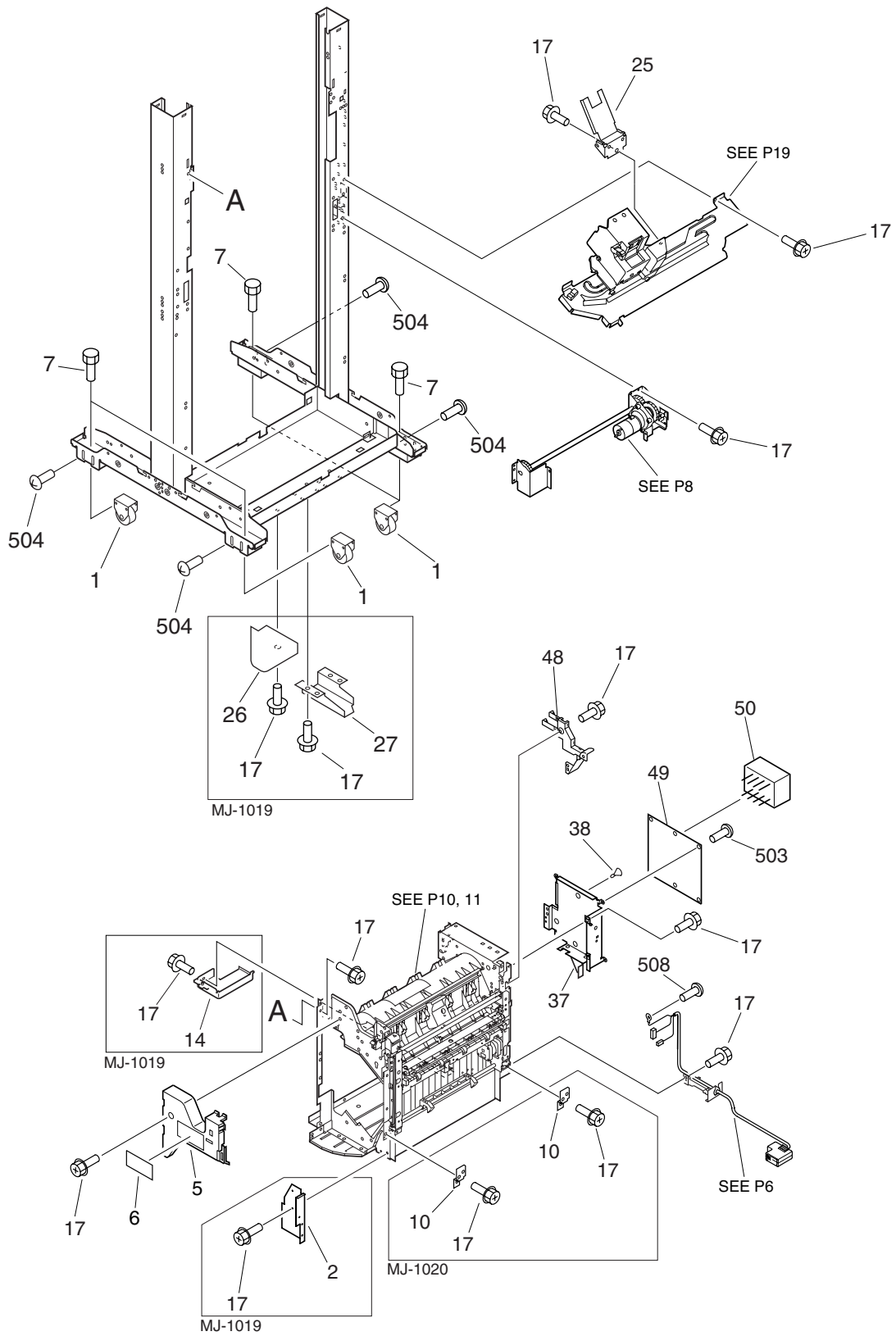




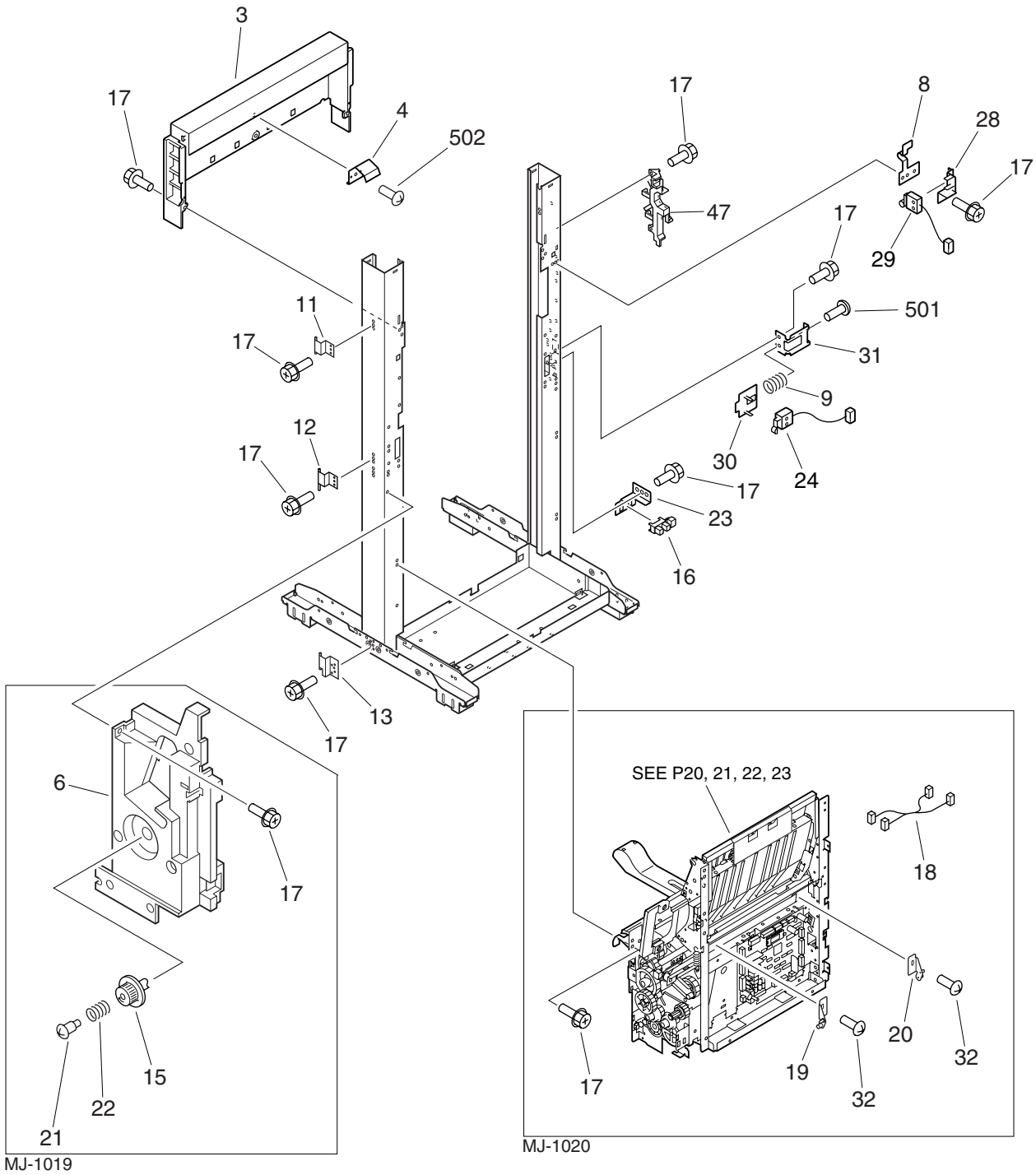
| ITEM NO. | PARTS NO. | PARTS NAME | QTY / PAGE | QTY / PACK | P | I | R | BSI NO. | TO | FROM | SERIAL NO. | REMARKS | C |
|----------|-------------|-----------------|------------|------------|---|---|---|---------|----|------|------------|---------|---|
| 1 | 4402349510 | GUIDE-HURDLE | 1 | 1/PP | | | | | | | | | |
| 2 | 44210675000 | CAP-536-F-T | 1 | 1/P | | | | | | | | | |
| 3 | 44210676000 | CAP-536-R-T | 1 | 1/P | | | | | | | | | |
| 4 | 4402966380 | ASM-GUIDE-L | 1 | 1/PP | | | | | | | | | |
| 5 | 4402962670 | K-SHUTTER | 1 | 1/D | | | | | | | | | |
| 6 | 4402966760 | SHEET-502 | 1 | 5/P | | | | | | | | | |
| 7 | 44210706000 | PLATE-SHUTTER | 1 | 1/P | | | | | | | | | |
| 8 | 4402349740 | DAMPER | 1 | 5/P | | | | | | | | | |
| 9 | 4402349750 | DAMPER-SHUTTER | 1 | 5/P | | | | | | | | | |
| 10 | 4402960560 | PLATE-SHUTTER | 1 | 1/PP | | | | | | | | | |
| 11 | 4402349770 | GUIDE-HURDLE-L | 1 | 1/PP | | | | | | | | | |
| 13 | 44209665000 | WIRE-HARNESS | 1 | 1/P | | | | | | | | | |
| 14 | 44209666000 | PHOTO INTERRUPT | 1 | 1/C | | | | | | | | | |
| 15 | 4402351960 | SPL | 2 | 1/P | | | | | | | | | |
| 17 | 44210713000 | ASM-GUIDE-SLIDE | 1 | 1/PP | | | | | | | | | |
| 18 | 4402349840 | COV-SLIDE-R | 1 | 1/PP | | | | | | | | | |
| 19 | 4402960620 | COVER-PLUG-2 | 1 | 1/PP | | | | | | | | | |
| 20 | 4402349830 | COV-SLIDE-F | 1 | 1/PP | | | | | | | | | |
| 25 | 44210724000 | TRAY-536-T | 2 | 1/PP | | | | | | | | | |
| 26 | 44210726000 | LEVER-SENSOR-T | 2 | 1/P | | | | | | | | | |
| 27 | 44210727000 | COV-TRAY-SENSOR | 2 | 1/P | | | | | | | | | |
| 29 | 4402960700 | SPRING | 2 | 5/P | | | | | | | | | |
| 31 | 44210728000 | WIRE-HARNESS | 2 | 1/P | | | | | | | | | |
| 32 | 44209672000 | WIRE-HARNESS | 1 | 1/P | | | | | | | | | |
| 33 | 4400790790 | SWITCH | 2 | 1/C | | | | | | | | | |
| 34 | 4402966610 | COVER-PLUG-1 | 1 | 1/P | | | | | | | | | |
| 35 | 4402352940 | CONNECTOR | 2 | 1/P | | | | | | | | | |
| 37 | 4402969300 | CONNECTOR | 1 | 1/P | | | | | | | | | |
| 40 | 4402352940 | CONNECTOR | 1 | 1/P | | | | | | | | | |
| 44 | 44210833000 | TRAY-SUB-T | 1 | 1/PP | | | | | | | | | |
| 501 | 4402352090 | SCRW-XB47401207 | 8 | 50/P | | | | | | | | | |
| 502 | 4402015300 | PAN-XB47400809 | 14 | 50/P | | | | | | | | | |
| 503 | 4402015230 | PAN-SCREW | 4 | 50/P | | | | | | | | | |
| 505 | 4400595930 | SCREW | 2 | 50/P | | | | | | | | | |
| 507 | 44210733000 | SCREW | 4 | 10/P | | | | | | | | | |
| 508 | X0-01820000 | S/FPAN-M4X6-ZB | 4 | 10/P | | | | | | | | | |
| 511 | X0-01835000 | W/TH/B-4-SS | 1 | 10/P | | | | | | | | | |
| 512 | X0-01748000 | S/BID-M4X4-ZB | 1 | 10/P | | | | | | | | | |



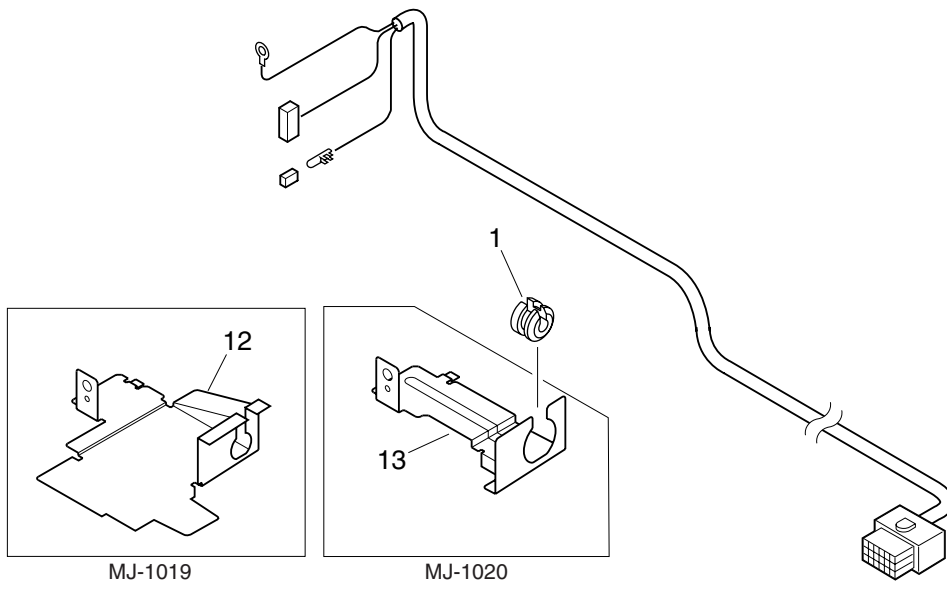
| ITEM NO. | PARTS NO. | PARTS NAME | QTY / PAGE | QTY / PACK | P | I | R | BSI NO. | TO | FROM | SERIAL NO. | REMARKS | C |
|----------|-------------|-----------------|------------|------------|---|---|---|---------|----|------|------------|---------|---|
| 4 | 44210649000 | COV-F-536-T | 1 | 1/P | | | | | | | | | |
| 5B | 4402963140 | COVER-SENSOR | 1 | 1/PP | | | | | | | | MJ-1020 | |
| 6B | 4402966270 | LEVER-SENSOR | 1 | 1/P | | | | | | | | MJ-1020 | |
| 7B | 4402966290 | SPRING | 1 | 5/P | | | | | | | | MJ-1020 | |
| 8 | 44210685000 | COV-FOOT-536-T | 2 | 1/P | | | | | | | | | |
| 9 | 44210684000 | COV-FOOT-R-T | 1 | 1/P | | | | | | | | | |
| 11B | 4402966330 | PHOTOINTERRUPT | 1 | 1/C | | | | | | | | MJ-1020 | |
| 12 | 44210699000 | COVER-R-T | 1 | 1/PP | | | | | | | | | |
| 13 | 44210702000 | COV-TOP-536-T | 1 | 1/PP | | | | | | | | | |
| 14B | 44209663000 | WIRE-HARNESS | 1 | 1/P | | | | | | | | MJ-1020 | |
| 15 | 44210701000 | FLAG-SENSOR | 1 | 1/P | | | | | | | | | |
| 16 | 44210707000 | COVER-R-536-T | 1 | 1/PP | | | | | | | | | |
| 18A | 4402960610 | COVER-BUTTON | 1 | 1/PP | | | | | | | | MJ-1019 | |
| 20B | 44210714000 | TRAY-STACK-T | 1 | 1/PP | | | | | | | | MJ-1020 | |
| 21 | 44209653000 | SCREW-M4 | 4 | 10/P | | | | | | | | | |
| 22 | 44210716000 | COV-F-U-T | 1 | 1/PP | | | | | | | | | |
| 23B | 44210718000 | COV-R-L-T | 1 | 1/P | | | | | | | | MJ-1020 | |
| 24A | 44210720000 | COV-LATCH-A-T | 1 | 1/P | | | | | | | | MJ-1019 | |
| 24B | 44210722000 | COV-LATCH-B-T | 1 | 1/P | | | | | | | | MJ-1020 | |
| 25 | 4402349880 | SPRING | 1 | 5/P | | | | | | | | | |
| 26 | 44209660000 | SCREW | 2 | 10/P | | | | | | | | | |
| 27 | 4402960500 | SPACER-795 | 2 | 5/P | | | | | | | | | |
| 28B | 4402966570 | COVER-REAR-L | 1 | 1/PP | | | | | | | | MJ-1020 | |
| 30B | 4402966590 | COVER-R-B | 1 | 1/PP | | | | | | | | MJ-1020 | |
| 31 | 44209662000 | SPC | 2 | 5/P | | | | | | | | | |
| 32 | 4402349630 | SPRING | 1 | 5/P | | | | | | | | | |
| 33 | 4402960490 | HANDLE | 1 | 1/P | | | | | | | | | |
| 35 | 4402960740 | COVER-INNER-F | 1 | 1/PP | | | | | | | | | |
| 36A | 44210729000 | COV-F-L-536-T | 1 | 1/PP | | | | | | | | MJ-1019 | |
| 36B | 44210731000 | COV-F-L-537-T | 1 | 1/PP | | | | | | | | MJ-1020 | |
| 40 | 44210709000 | COV-CONNECT-T | 1 | 1/PP | | | | | | | | | |
| 41 | 44210711000 | COV-CONNECT-2-T | 1 | 1/P | | | | | | | | | |
| 42 | 44210662000 | LBL-JAM-STPL-T | 1 | 1/KP | | | | | | | | | |
| 43 | 4402964580 | LBL-SADDLE | 1 | 1/KP | | | | | | | | | |
| 44 | 44221060000 | TRAY-STACK-U | 1 | 1/P | | | | | | | | | |
| 501 | 4402352090 | SCRW-XB47401207 | 5 | 50/P | | | | | | | | | |
| 504 | X0-01286000 | S/BID-M4X8-NC | 1 | 10/P | | | | | | | | | |
| 509 | 4402961210 | SCREW-M4*8 | 5 | 10/P | | | | | | | | | |
| 510 | 4402015240 | PAN-XB47300809 | 2 | 50/P | | | | | | | | | |
| 513 | 4400792330 | SCREW-RS-M4 | 2 | 50/P | | | | | | | | | |



| ITEM NO. | PARTS NO. | PARTS NAME | QTY / PAGE | QTY / PACK | P | I | R | BSI NO. | TO | FROM | SERIAL NO. | REMARKS | C |
|----------|-------------|----------------|------------|------------|---|---|---|---------|----|------|------------|---------|---|
| 1 | 4422107000 | CASTER-548 | 4 | 1/P | | | | | | | | | |
| 2A | 4402966980 | PLATE-COVER-A | 1 | 1/P | | | | | | | | MJ-1019 | |
| 5 | 4402961070 | K-COV-INNER | 1 | 1/P | | | | | | | | | |
| 6 | 4402960300 | LBL-STAPLE-2 | 1 | 1/KP | | | | | | | | | |
| 7 | 44210738000 | SCREW | 4 | 10/P | | | | | | | | | |
| 10B | 44209681000 | PLATE-FINISHER | 2 | 1/P | | | | | | | | MJ-1020 | |
| 14A | 44209685000 | COV-WH-FEED | 1 | 1/P | | | | | | | | MJ-1019 | |
| 17 | 4400792330 | SCREW-RS-M4 | 10 | 50/P | | | | | | | | | |
| 25 | 4402351760 | BRKT-STAPLE | 1 | 1/P | | | | | | | | | |
| 26 | 4402966990 | PLATE-COVER-B | 1 | 1/P | | | | | | | | | |
| 27 | 44221071000 | BRKT-FIN-548 | 1 | 1/P | | | | | | | | | |
| 37 | 44209694000 | BRKT-PCB | 1 | 1/P | | | | | | | | | |
| 38 | 4402961060 | SPACER-PCB | 4 | 10/P | | | | | | | | | |
| 48 | 4402960920 | GUIDE-CABLE | 1 | 1/P | | | | | | | | | |
| 49 | 44221072000 | PWA-LGC-548 | 1 | 1/SB | | | | | | | | | |
| 50 | 44221073000 | PRA-T548SRT-00 | 1 | 1/S | | | | | | | | | |
| 503 | X0-00431000 | S/BID-M3X6-ZB | 6 | 10/P | | | | | | | | | |
| 504 | X0-01820000 | S/FPAN-M4X6-ZB | 5 | 10/P | | | | | | | | | |
| 508 | X0-01747000 | S/BID-M4X6-ZB | 1 | 10/P | | | | | | | | | |

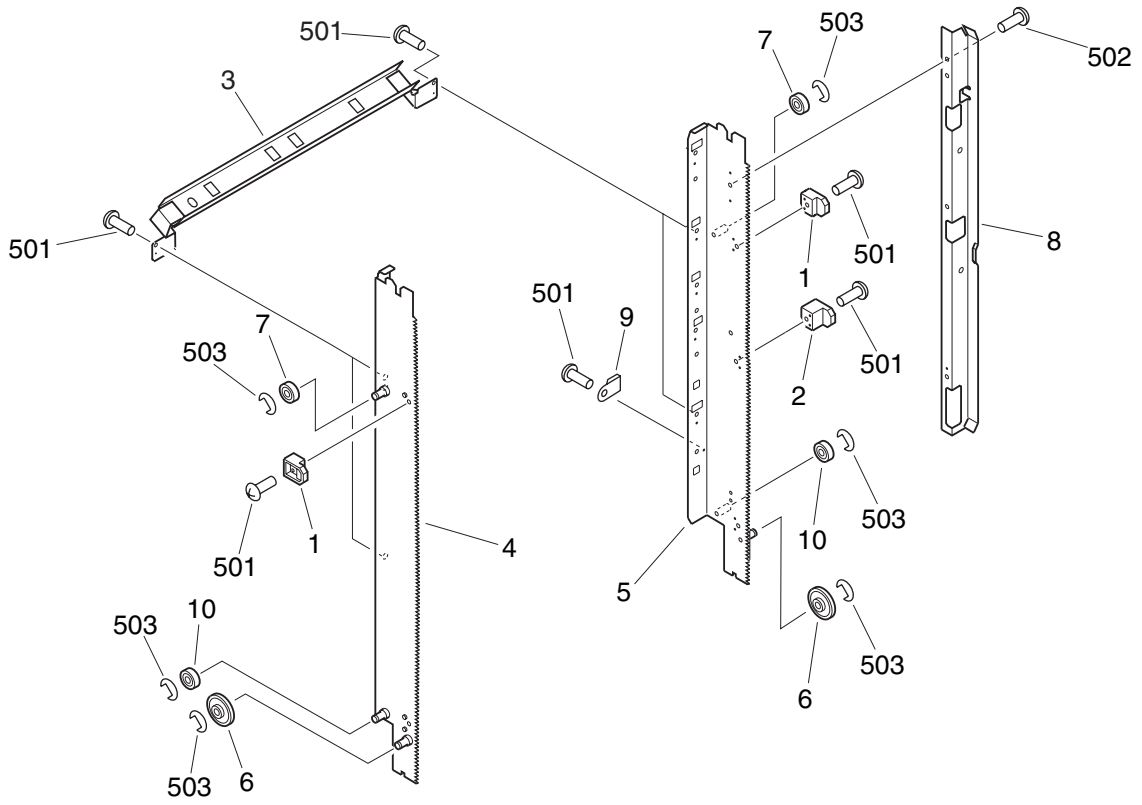


| ITEM NO. | PARTS NO. | PARTS NAME | QTY / PAGE | QTY / PACK | P | I | R | BSI NO. | TO | FROM | SERIAL NO. | REMARKS | C |
|----------|-------------|-----------------|------------|------------|---|---|---|---------|----|------|------------|---------|---|
| 3 | 44210680000 | SLIDE-536-T | 1 | 1/P | | | | | | | | | |
| 4 | 44210735000 | SPL | 1 | 1/P | | | | | | | | | |
| 6B | 44210736000 | COV-INNER-T | 1 | 1/PP | | | | | | | | MJ-1020 | |
| 8 | 4402349970 | SPL | 1 | 1/P | | | | | | | | | |
| 9 | 4402349980 | SPC | 1 | 5/P | | | | | | | | | |
| 11 | 44209682000 | PLATE-HINGE-U | 1 | 1/P | | | | | | | | | |
| 12 | 44209683000 | PLATE-HINGE-M | 1 | 1/P | | | | | | | | | |
| 13 | 44209684000 | PLATE-HINGE-L | 1 | 1/P | | | | | | | | | |
| 15B | 4402966840 | HANDLE | 1 | 1/P | | | | | | | | MJ-1020 | |
| 16 | 4400790790 | SWITCH | 1 | 1/C | | | | | | | | | |
| 17A | 4400792330 | SCREW-RS-M4 | 31 | 50/P | | | | | | | | MJ-1019 | |
| 17B | 4400792330 | SCREW-RS-M4 | 38 | 50/P | | | | | | | | MJ-1020 | |
| 18B | 44209686000 | WIRE-HARNES | 1 | 1/P | | | | | | | | MJ-1020 | |
| 19B | 44209687000 | PLATE-RELEASE-F | 1 | 1/P | | | | | | | | MJ-1020 | |
| 20B | 44209688000 | PLATE-RELEASE-R | 1 | 1/P | | | | | | | | MJ-1020 | |
| 21B | 4402967010 | SCREW-F502 | 1 | 10/P | | | | | | | | MJ-1020 | |
| 22B | 4402967020 | SPRING | 1 | 5/P | | | | | | | | MJ-1020 | |
| 23 | 4402349950 | BRKT-SENSOR | 1 | 1/P | | | | | | | | | |
| 24 | 4402350120 | MICROSWITCH | 1 | 1/C | | | | | | | | | |
| 28 | 4402349930 | HOLDER-SENSOR | 1 | 1/P | | | | | | | | | |
| 29 | 4402350110 | MICROSWITCH | 1 | 1/C | | | | | | | | | |
| 30 | 4402349940 | HOLDER | 1 | 1/P | | | | | | | | | |
| 31 | 4402349990 | BRACKET | 1 | 1/P | | | | | | | | | |
| 32B | 44209689000 | SCREW-RS-M4*12 | 2 | 10/P | | | | | | | | MJ-1020 | |
| 47 | 4402966870 | GUIDE-CABLE-B | 1 | 1/P | | | | | | | | | |
| 501 | 4842040810 | BID30*08MSZN3L | 1 | 50/P | | | | | | | | | |
| 502 | 44209690000 | SCREW-M4*6 | 1 | 10/P | | | | | | | | | |

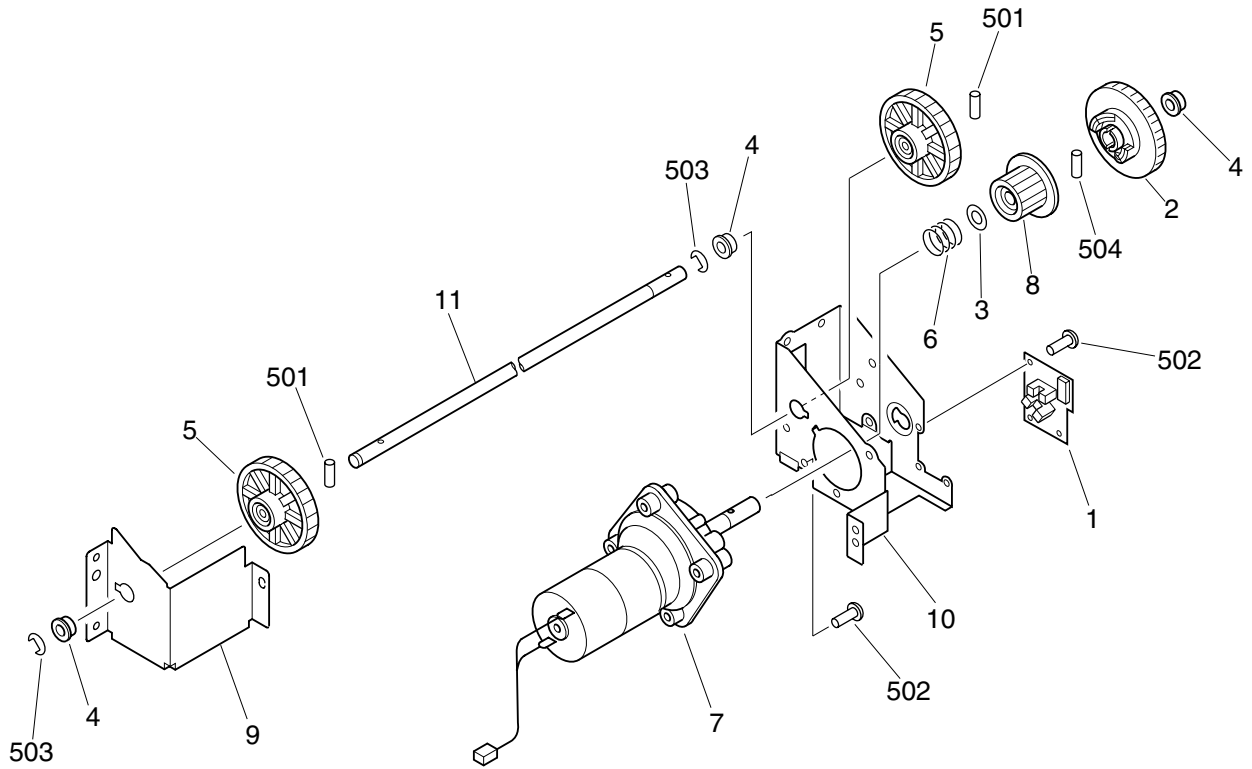


MJ-1019

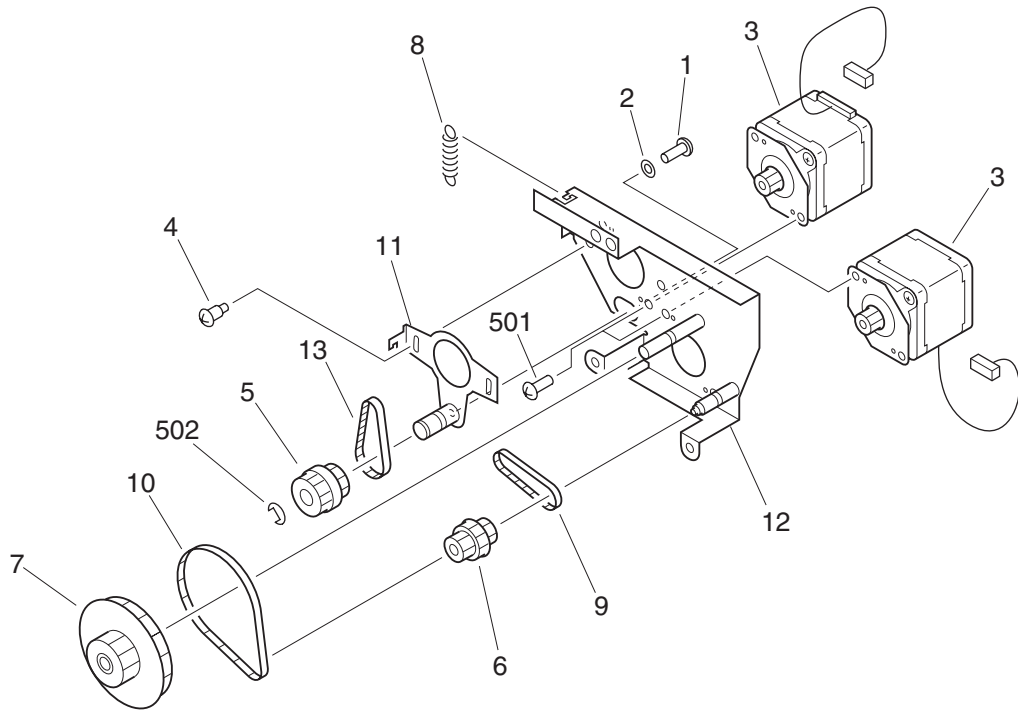
MJ-1020



| ITEM NO. | PARTS NO. | PARTS NAME | Q'TY | Q'TY | P | I | R | BSI NO. | TO | FROM | SERIAL NO. | REMARKS | C |
|----------|-------------|----------------|------|------|---|---|---|---------|----|------|------------|---------|---|
| | | | PAGE | PACK | | | | | | | | | |
| 0 | 44209706000 | ASM-FRAME-TRAY | 1 | 1 | C | | | | | | | | |
| 1 | 4402350710 | GUIDE-SLIDE-A | 2 | 1 | P | | | | | | | | |
| 2 | 4402350720 | GUIDE-SLIDE-B | 1 | 1 | P | | | | | | | | |
| 3 | 4402967220 | STAY-TRAY-793 | 2 | 1 | P | | | | | | | | |
| 4 | 4402967230 | FRAME-TRAY-F | 1 | 1 | P | | | | | | | | |
| 5 | 4402967240 | FRAME-TRAY-R | 1 | 1 | P | | | | | | | | |
| 6 | 4402350770 | ROLLER | 2 | 1 | P | | | | | | | | |
| 7 | 44209707000 | ROLLER | 2 | 1 | P | | | | | | | | |
| 8 | 4402967250 | PLATE-GUIDE | 1 | 1 | P | | | | | | | | |
| 9 | 4402961540 | CLIP-CABLE | 1 | 5 | P | | | | | | | | |
| 10 | 4402350760 | ROLLER | 2 | 1 | P | | | | | | | | |
| 501 | X0-01747000 | S/BID-M4X6-ZB | 8 | 10 | P | | | | | | | | |
| 502 | X0-01741000 | S/BID-M3X4-ZB | 3 | 10 | P | | | | | | | | |
| 503 | 4402016800 | ERRING-5 | 6 | 50 | P | | | | | | | | |

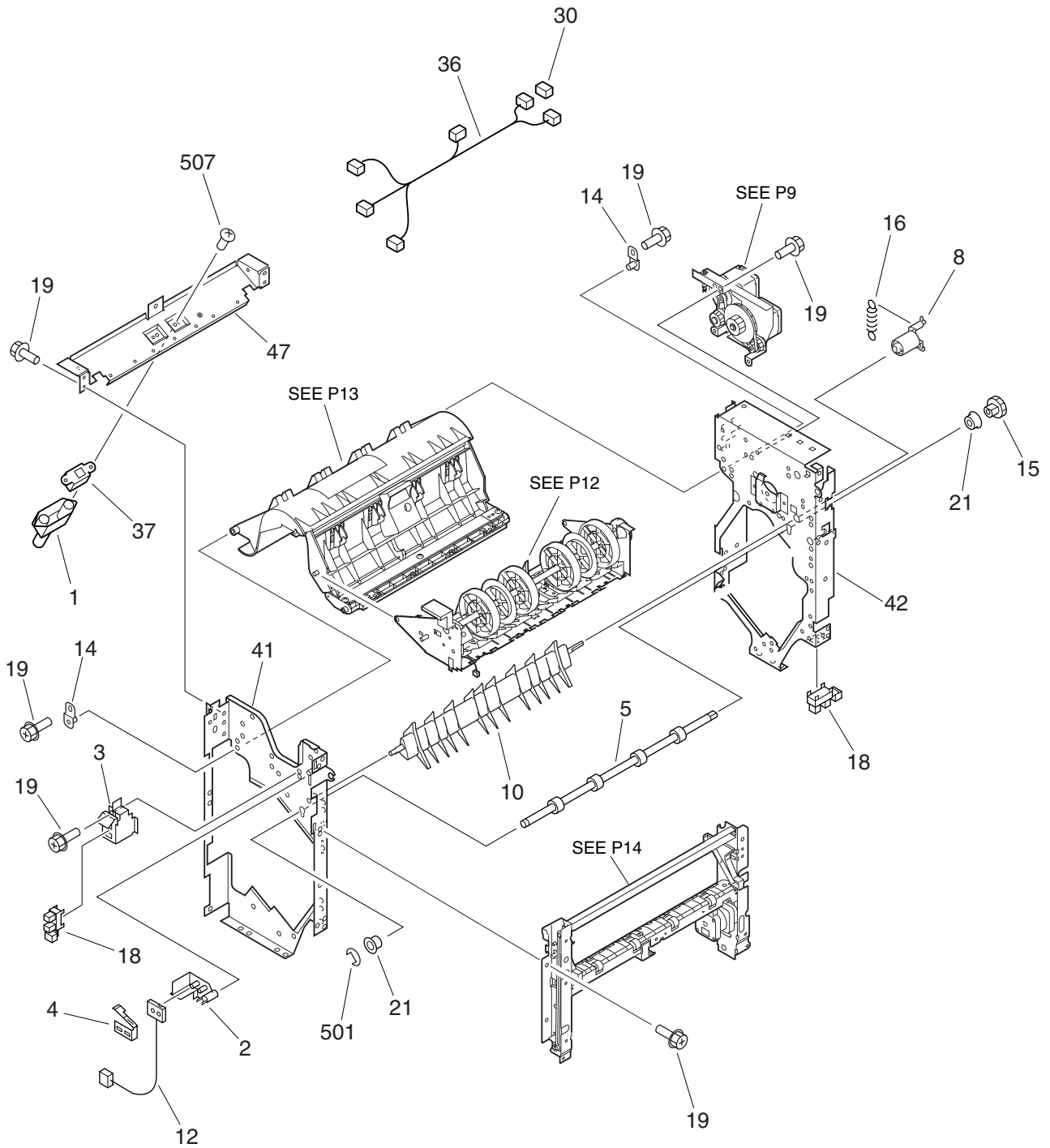


| ITEM NO. | PARTS NO. | PARTS NAME | QTY / PAGE | QTY / PACK | P | I | R | BSI NO. | TO | FROM | SERIAL NO. | REMARKS | C |
|----------|-------------|----------------|------------|------------|---|---|---|---------|----|------|------------|---------|---|
| 0 | 44209708000 | ASM-DRIVE-TRAY | 1 | 1/C | | | | | | | | | |
| 1 | 4402961390 | PWA-SENSOR | 1 | 1/C | | | | | | | | | |
| 2 | 4402961380 | CAM | 1 | 1/P | | | | | | | | | |
| 3 | 4402350690 | WASHER | 1 | 10/P | | | | | | | | | |
| 4 | 4400575620 | BUSHING | 3 | 5/P | | | | | | | | | |
| 5 | 44209709000 | GEAR-48T | 2 | 1/P | | | | | | | | | |
| 6 | 4402350650 | SPRING | 1 | 5/P | | | | | | | | | |
| 7 | 44209710000 | MOTOR | 1 | 1/C | | | | | | | | | |
| 8 | 44209711000 | GEAR-22T | 1 | 1/P | | | | | | | | | |
| 9 | 44209996000 | BRKT-DRIVE-S | 1 | 1/P | | | | | | | | | |
| 10 | 44209997000 | BRKT-DRIVE | 1 | 1/P | | | | | | | | | |
| 11 | 44209998000 | SFT-TRAY | 1 | 1/P | | | | | | | | | |
| 501 | 7432301608 | HPIN30/16SS | 2 | 50/P | | | | | | | | | |
| 502 | X0-00431000 | S/BID-M3X6-ZB | 3 | 10/P | | | | | | | | | |
| 503 | 4402016830 | ERRING-6.4 | 2 | 50/P | | | | | | | | | |
| 504 | 7432201608 | HPIN20/16SS | 1 | 50/P | | | | | | | | | |



NOTE : This assembly is included in the assembly shown in P10, 11.

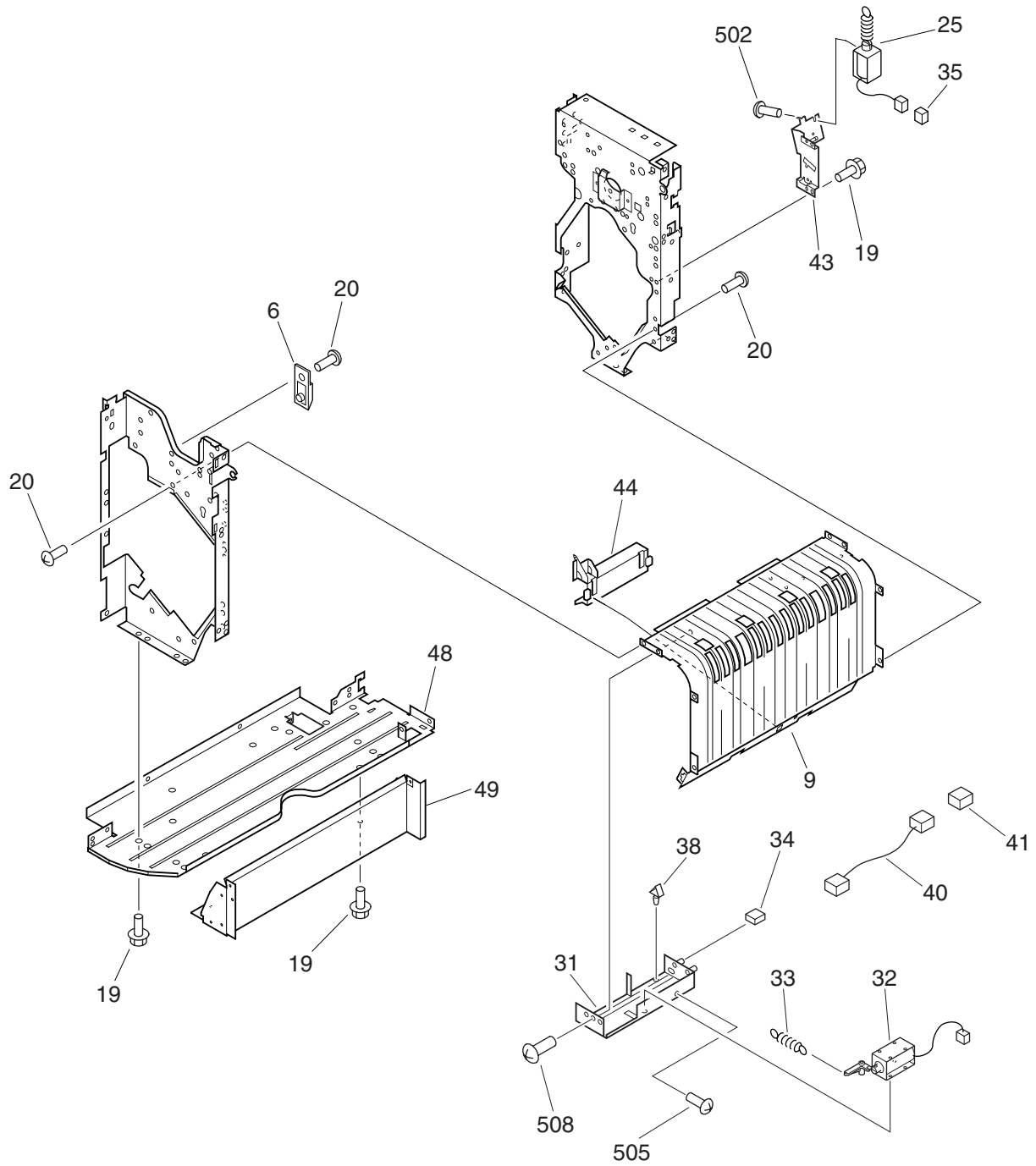
| ITEM NO. | PARTS NO. | PARTS NAME | QTY / PAGE | QTY / PACK | PI | IR | BSI NO. | TO | FROM | SERIAL NO. | REMARKS | C |
|----------|-------------|-----------------|------------|------------|----|----|---------|----|------|------------|---------|---|
| 0 | 44209712000 | ASM-DRIVE-FEED | 1 | 1 | | | | | | | | |
| 1 | 4402351470 | SCREW | 1 | 50 | | | | | | | | |
| 2 | 44209713000 | WASHER | 1 | 10 | | | | | | | | |
| 3 | 44209714000 | MOTOR | 2 | 1 | | | | | | | | |
| 4 | 4407839560 | SCREW-M3 | 2 | 50 | | | | | | | | |
| 5 | 44221080000 | GEAR-18T/P45T | 1 | 1 | | | | | | | | |
| 6 | 44221081000 | GEAR-21T/P21/33 | 1 | 1 | | | | | | | | |
| 7 | 44209717000 | GEAR-25T/P85T | 1 | 1 | | | | | | | | |
| 8 | 44209718000 | SPE | 1 | 5 | | | | | | | | |
| 9 | 44221082000 | BELT | 1 | 1 | | | | | | | | |
| 10 | 44221084000 | BELT | 1 | 1 | | | | | | | | |
| 11 | 44209999000 | K-BRKT-DRIVE | 1 | 1 | | | | | | | | |
| 12 | 44210000000 | K-BRKT-MOT-DRIV | 1 | 1 | | | | | | | | |
| 13 | 44221083000 | BELT | 1 | 1 | | | | | | | | |
| 501 | X0-00431000 | S/BID-M3X6-ZB | 4 | 10 | | | | | | | | |
| 502 | 44209721000 | ERR -XD21200642 | 1 | 10 | | | | | | | | |



NOTE 1 : This assembly includes the assemblies shown in P9, 12, 13, 14.

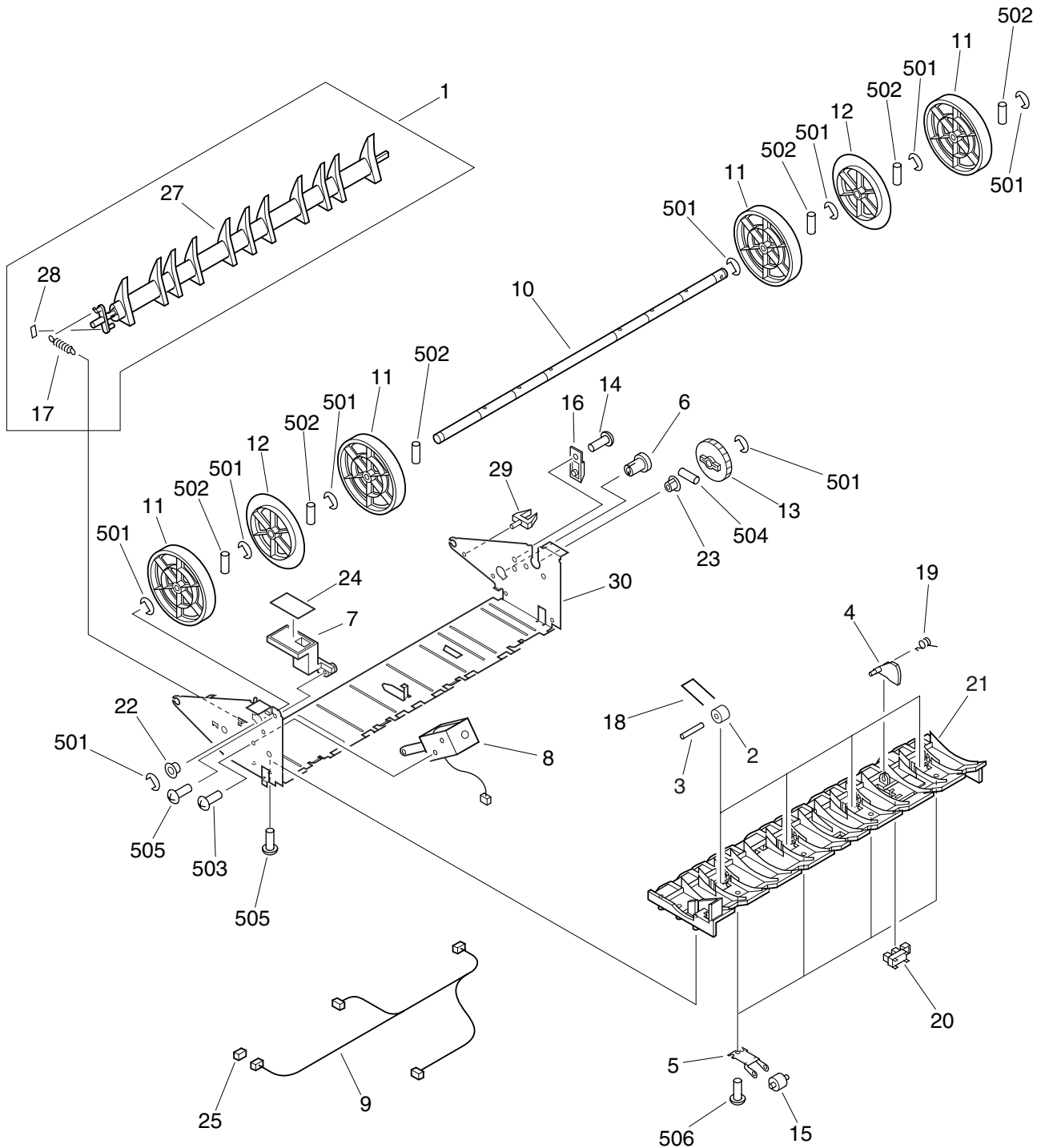
NOTE 2 : This assembly does not include the parts shown with item No. 35 and 38.

| ITEM NO. | PARTS NO. | PARTS NAME | QTY / PAGE | QTY / PACK | P | I | R | BSI NO. | TO | FROM | SERIAL NO. | REMARKS | C |
|----------|-------------|----------------|------------|------------|---|---|---|---------|----|------|------------|---------|---|
| 1 | 44209724000 | DUCT-SENSOR | 1 | 1/P | | | | | | | | | |
| 2 | 4402960770 | HOLDERSWITCH | 1 | 1/P | | | | | | | | | |
| 3 | 4402960930 | BRKT-SENSOR | 1 | 1/P | | | | | | | | | |
| 4 | 4402960760 | SPL | 1 | 5/P | | | | | | | | | |
| 5 | 4402960960 | ROLLER-FEED | 1 | 1/KP | | | | | | | | | |
| 8 | 44209726000 | SPCR-DEFLECTOR | 1 | 1/P | | | | | | | | | |
| 10 | 44209728000 | FLAPPER | 1 | 1/P | | | | | | | | | |
| 12 | 44209730000 | WIRE-HARNES | 1 | 1/P | | | | | | | | | |
| 14 | 44209732000 | PLATE-PIN | 2 | 1/P | | | | | | | | | |
| 15 | 44221090000 | GEAR-23T | 1 | 1/P | | | | | | | | | |
| 16 | 4402961040 | SPE | 2 | 5/P | | | | | | | | | |
| 18 | 44209666000 | PHOTOINTERRUPT | 2 | 1/C | | | | | | | | | |
| 19 | 4400792330 | SCREW-RS-M4 | 17 | 50/P | | | | | | | | | |
| 21 | 44209735000 | BEARING | 2 | 1/P | | | | | | | | | |
| 30 | 4402350070 | CONNECTOR | 1 | 5/P | | | | | | | | | |
| 36 | 44209746000 | WIRE-HARNES | 1 | 1/P | | | | | | | | | |
| 37 | 4402350010 | SENSOR | 1 | 1/C | | | | | | | | | |
| 41 | 44209749000 | FRAME-F | 1 | 1/P | | | | | | | | | |
| 42 | 44210746000 | FRAME-R | 1 | 1/P | | | | | | | | | |
| 47 | 44210745000 | STAY-SENSOR | 1 | 1/P | | | | | | | | | |
| 501 | 4402016800 | ERRING-5 | 1 | 50/P | | | | | | | | | |
| 507 | 4402352080 | SCREW | 2 | 50/P | | | | | | | | | |

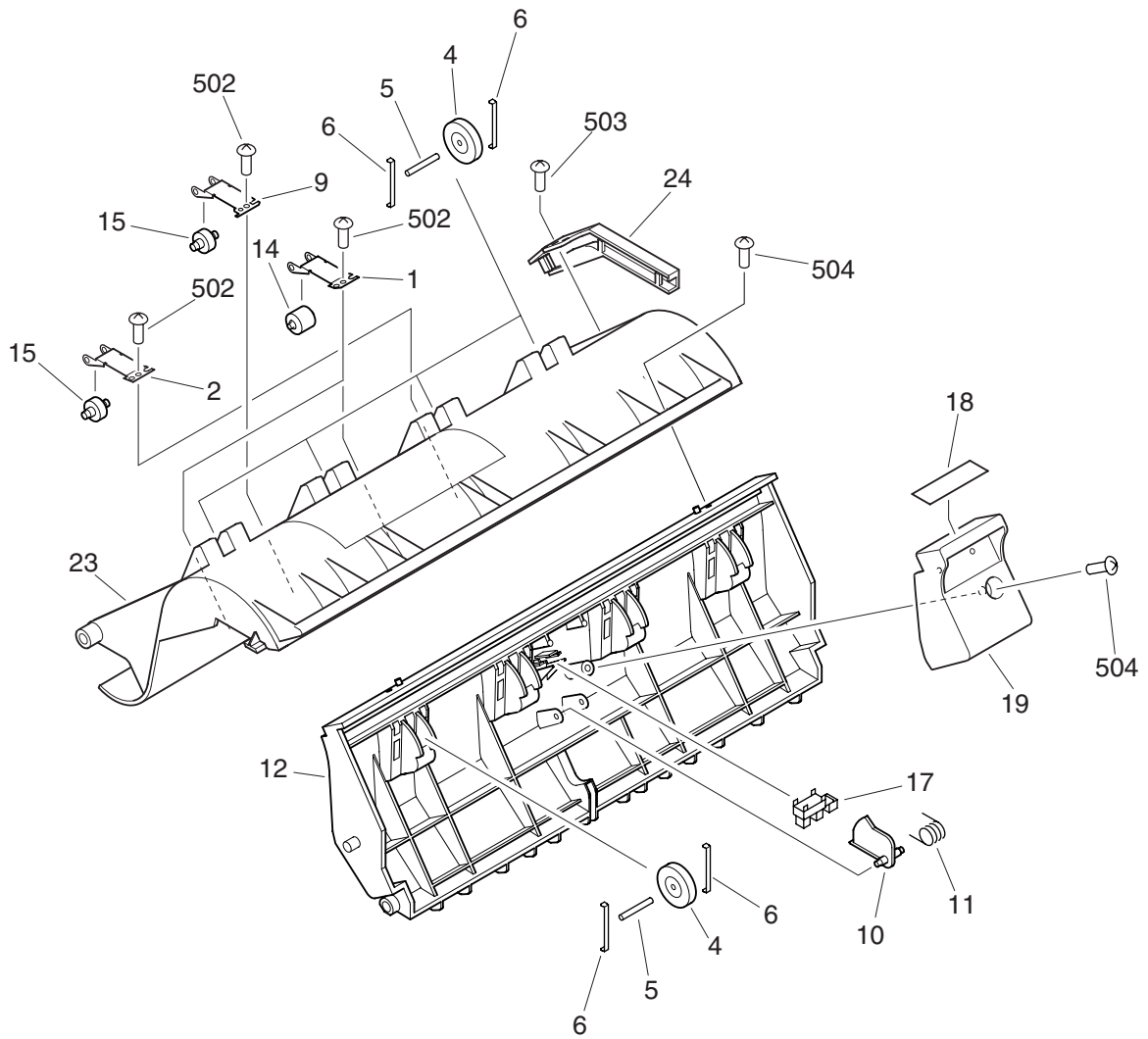


NOTE1 : This assembly includes the assemblies shown in P9, 12, 13, 14.

NOTE2 : This assembly does not include the parts shown with item No. 35 and 38.

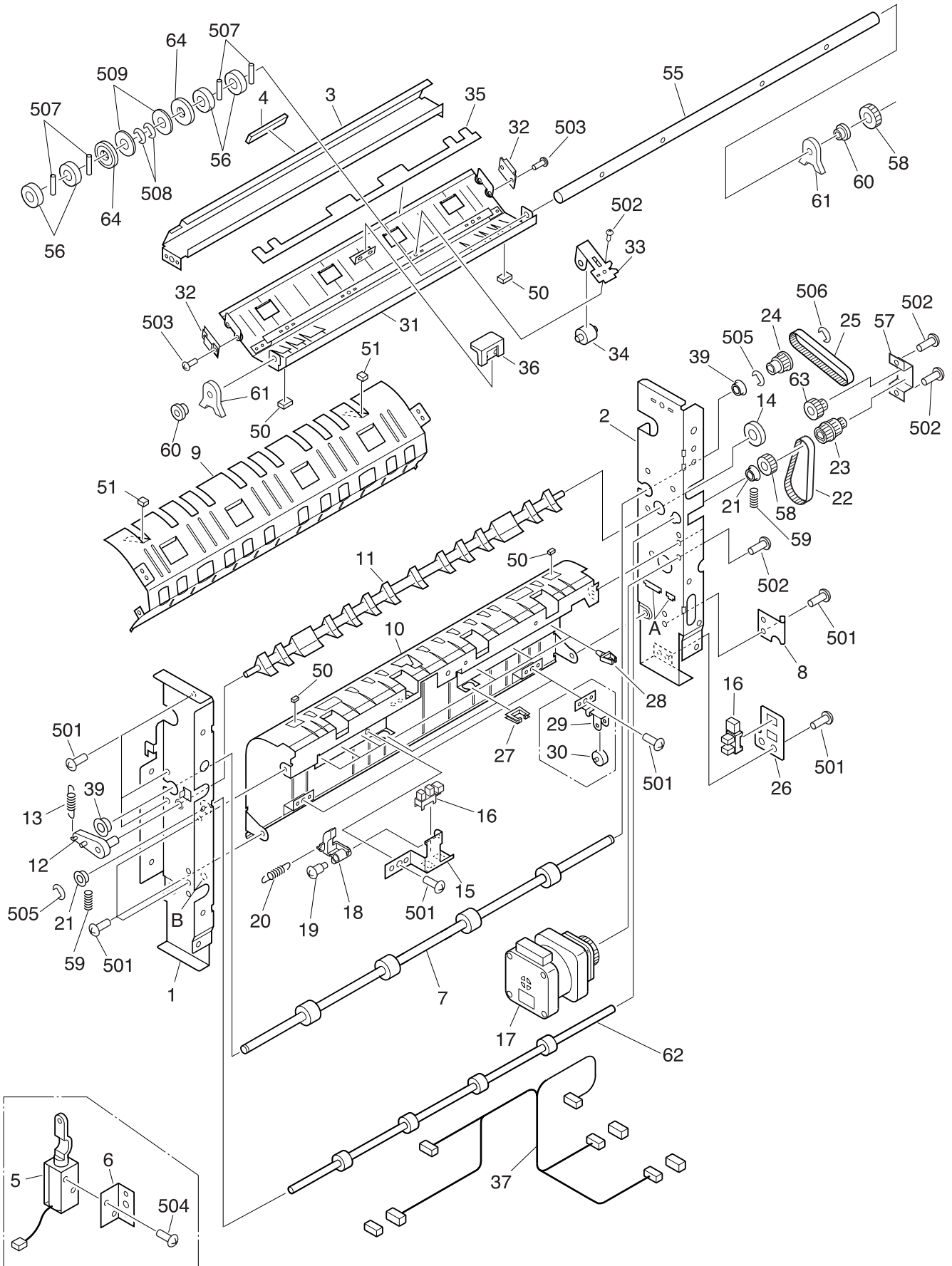


NOTE : This assembly is included in the assembly shown in P10, 11.

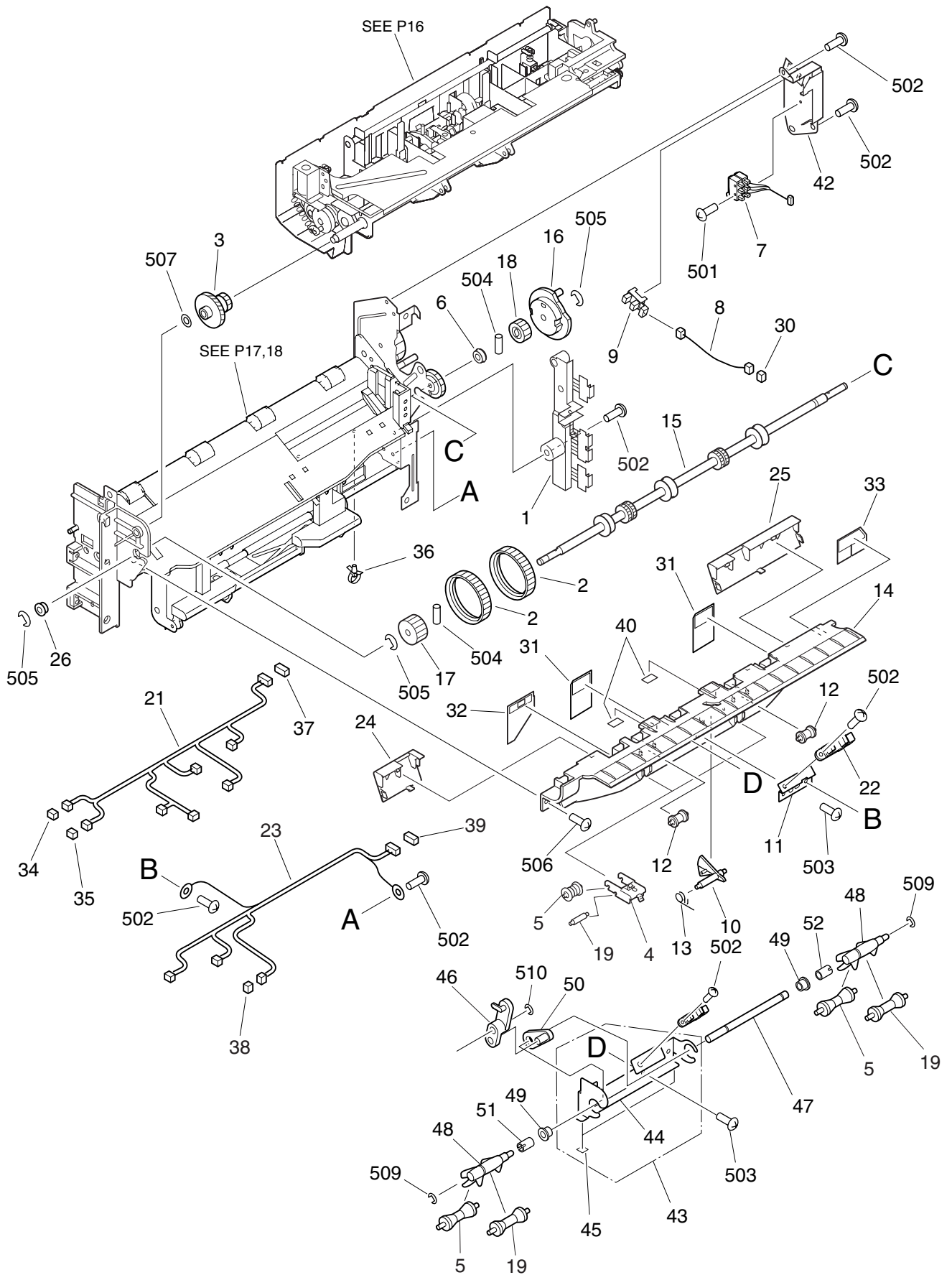


NOTE : This assembly is included in the assembly shown in P10, 11.

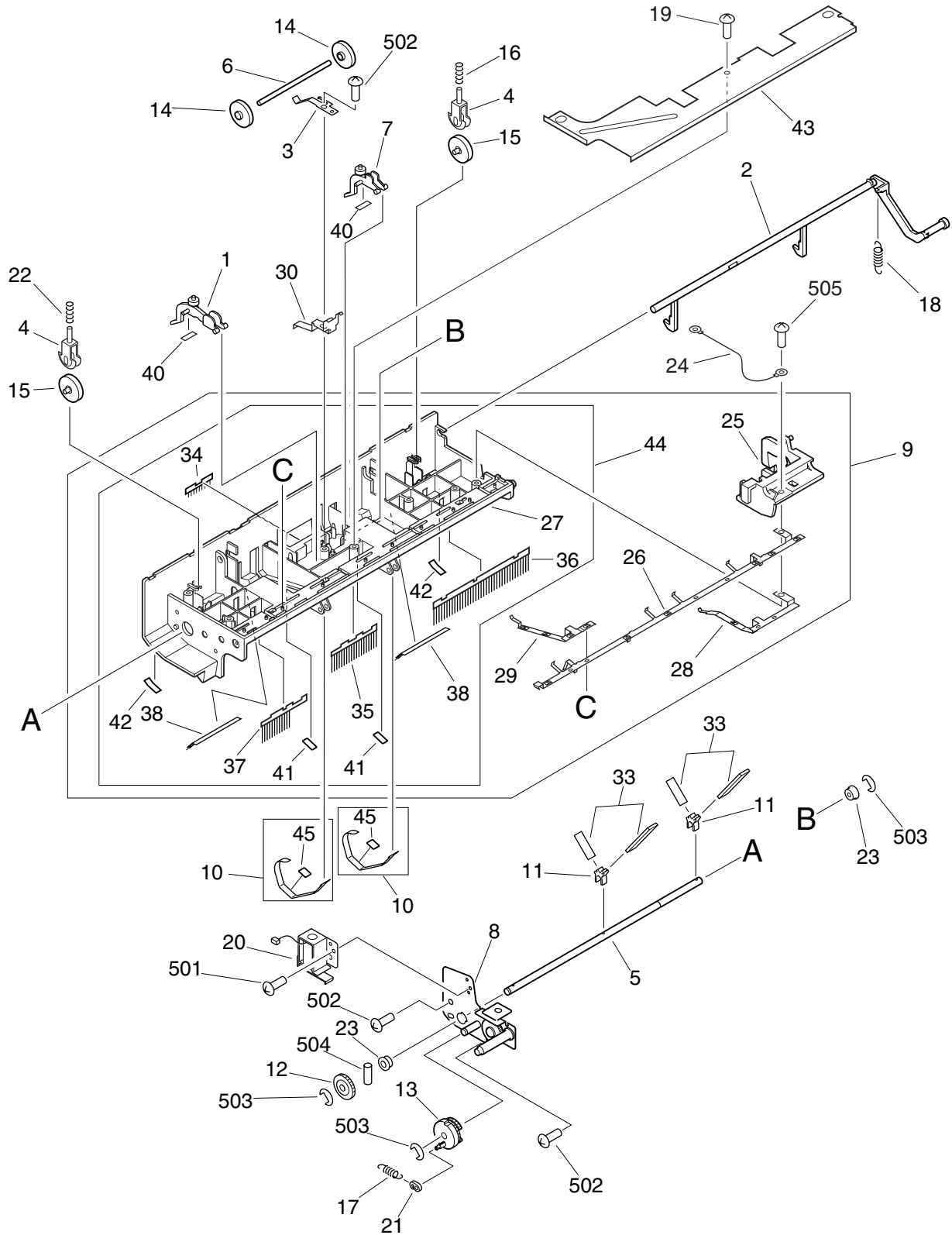
| ITEM NO. | PARTS NO. | PARTS NAME | QTY / PAGE | QTY / PACK | P | I | R | BSI NO. | TO | T | FROM | SERIAL NO. | REMARKS | C |
|----------|-------------|-------------------|------------|------------|---|---|---|---------|----|---|------|------------|---------|---|
| 0 | 44210754000 | ASM-BUFFER-536 | 1 | 1/P | | | | | | | | | | |
| 1 | 4402961950 | SPL | 2 | 1/P | | | | | | | | | | |
| 2 | 4402961960 | SPL | 1 | 1/P | | | | | | | | | | |
| 4 | 44209767000 | ROLLER | 8 | 1/P | | | | | | | | | | |
| 5 | 44209758000 | SHAFT-ROLLER | 8 | 1/P | | | | | | | | | | |
| 6 | 44209769000 | SPL | 16 | 1/P | | | | | | | | | | |
| 9 | 44209772000 | SPL | 1 | 1/P | | | | | | | | | | |
| 10 | 44209773000 | FLAG-SENSOR | 1 | 1/P | | | | | | | | | | |
| 11 | 44209774000 | SPRING | 1 | 5/P | | | | | | | | | | |
| 12 | 44209775000 | GUIDE-U | 1 | 1/P | | | | | | | | | | |
| 14 | 4402351520 | ROLLER-C | 2 | 1/P | | | | | | | | | | |
| 15 | 4402961920 | ROLLER-D | 2 | 1/P | | | | | | | | | | |
| 17 | 44209666000 | PHOTO INTERRUPTER | 1 | 1/C | | | | | | | | | | |
| 18 | 44209541000 | LABEL-SENSOR | 1 | 5/P | | | | | | | | | | |
| 19 | 44209618000 | COV-SENSOR | 1 | 1/P | | | | | | | | | | |
| 23 | 44209781000 | GUIDE-U | 1 | 1/PP | | | | | | | | | | |
| 24 | 44209782000 | COV-WH | 1 | 1/P | | | | | | | | | | |
| 502 | 4402015230 | PAN-SCREW | 5 | 50/P | | | | | | | | | | |
| 503 | 4402015290 | PAN-XB47400609 | 1 | 50/P | | | | | | | | | | |
| 505 | 4402352300 | SCRW-XB47401007 | 5 | 50/P | | | | | | | | | | |



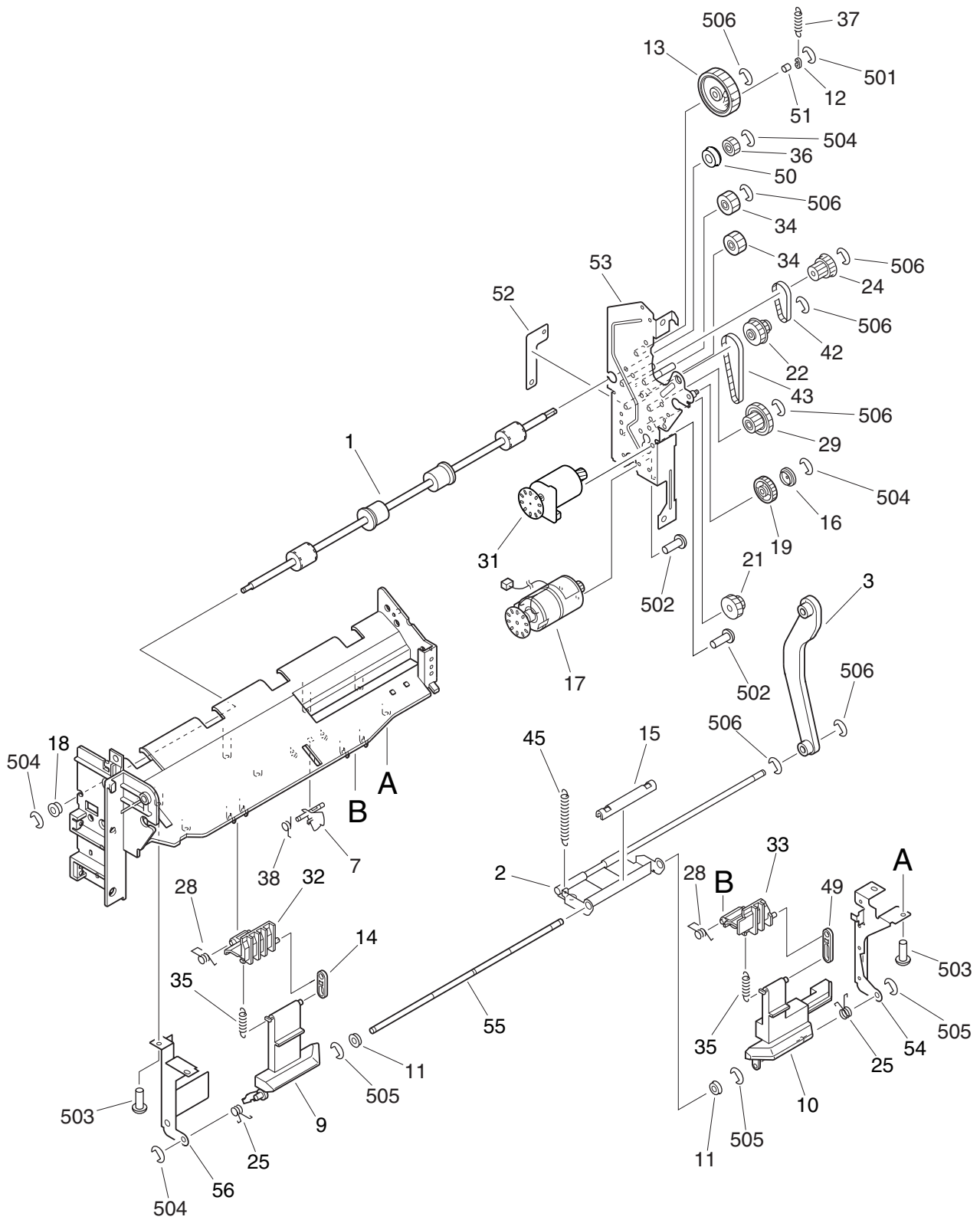
| ITEM NO. | PARTS NO. | PARTS NAME | QTY / PAGE | QTY / PACK | PIR | BSI NO. | TO | FROM | SERIAL NO. | REMARKS | C |
|----------|-------------|-----------------|------------|------------|-----|------------|------|------|------------|---------|---|
| 0 | 44210755000 | ASM-ENT-536 | 1 | 1/P | | | | | | | |
| 1 | 44221100000 | FRAME-ENT-F | 1 | 1/P | | | | | | | |
| 2 | 44221101000 | FRAME-ENT-R | 1 | 1/P | | | | | | | |
| 3 | 44210630000 | STAY-ENT-536 | 1 | 1/P | | | | | | | |
| 4 | 44209675000 | SPACER | 1 | 5/P | | | | | | | |
| 5 | 44210756000 | ASM-SND-ENT-537 | 1 | 1/C | | | | | | | |
| 6 | 44210637000 | BRKT-SND-ENT | 1 | 1/P | | | | | | | |
| 7 | 44221102000 | ROLLER | 1 | 1/KP | | | | | | | |
| 8 | 44209957000 | SPL | 1 | 1/P | | | | | | | |
| 9 | 44210846000 | GUIDE-FEED | 1 | 1/P | | | | | | | |
| 10 | 44221103000 | GUIDE-FEED-L | 1 | 1/P | | | | | | | |
| 11 | 44210639000 | FLAPPER | 1 | 1/P | | | | | | | |
| 12 | 4402967660 | SPACER-R | 1 | 1/P | | | | | | | |
| 13 | 44221104000 | SPRING | 1 | 5/P | | | | | | | |
| 14 | 44221105000 | SPACER-R | 1 | 5/P | | | | | | | |
| 15 | 44221106000 | BRKT-SENSOR | 1 | 1/P | | | | | | | |
| 16 | 44209666000 | PHOTO INTERRUPT | 2 | 1/C | | | | | | | |
| 17 | 44209790000 | MOTOR | 1 | 1/C | | | | | | | |
| 18 | 44210644000 | FLAG-SENSOR-ENT | 1 | 1/P | | | | | | | |
| 19 | 41321091000 | SCREW-M3-STEP | 1 | 10/P | | | | | | | |
| 20 | 44210759000 | SPRING | 1 | 5/P | | | | | | | |
| 21 | 44221107000 | BUSHING | 2 | 5/P | | | | | | | |
| 22 | 44221109000 | BELT | 1 | 1/P | | | | | | | |
| 23 | 44221110000 | GEAR-15T/P15/33 | 1 | 1/P | | | | | | | |
| 24 | 44210641000 | PULLEY | 1 | 1/P | | | | | | | |
| 25 | 44221111000 | BELT | 1 | 1/P | | | | | | | |
| 26 | 44210642000 | BRKT-SENSOR | 1 | 1/P | | | | | | | |
| 27 | 4402347290 | CLIP | 2 | 1/P | | | | | | | |
| 28A | 4402346920 | CLIP | 6 | 5/P | | | | | | MJ-1019 | |
| 28B | 4402346920 | CLIP | 3 | 5/P | | | | | | MJ-1020 | |
| 29 | 4402963750 | SPL-ROL-GUIDE | 2 | 1/P | | | | | | | |
| 30 | 44210762000 | ROLLER | 2 | 5/P | | | | | | | |
| 31 | 44221112000 | GUIDE-FEED-U | 1 | 1/KP | | | | | | | |
| 32 | 44210763000 | MAGNET | 2 | 1/P | | | | | | | |
| 33 | 44221113000 | SPL | 4 | 5/P | | | | | | | |
| 34 | 4402351520 | ROLLER-C | 8 | 1/P | | | | | | | |
| 35 | 44210764000 | MYLAR | 1 | 1/KP | | | | | | | |
| 36 | 41321122000 | HANDLE-UP-GUIDE | 1 | 1/P | | | | | | | |
| 37 | 44210765000 | WIRE-HARNES | 1 | 1/P | | | | | | | |
| 39 | 44221108000 | BUSHING | 2 | 5/P | | | | | | | |
| 50 | 44210635000 | SHEET-T1.5 | 4 | 5/P | | | | | | | |
| 51 | 44210636000 | SHEET-T2.0 | 2 | 5/P | | | | | | | |
| 55 | 44221114000 | SHAFT-FEED-U | 1 | 1/P | | | | | | | |
| 56 | 44221115000 | ROLLER-U | 4 | 1/P | | | 56-1 | | | | |
| 56-1 | 44221115000 | ROLLER-U | 2 | 1/P | | D-JG02C961 | | 56 | | | |
| 57 | 44221116000 | BRKT-DRIVE | 1 | 1/P | | | | | | | |
| 58 | 44221117000 | GEAR-18T | 2 | 1/P | | | | | | | |
| 59 | 44221125000 | SPRING | 2 | 5/P | | | | | | | |
| 60 | 4407839330 | BUSHING | 2 | 5/P | | | | | | | |
| 61 | 44221119000 | SPACER-U | 2 | 5/P | | | | | | | |
| 62 | 44221120000 | ROLLER | 1 | 1/P | | | | | | | |
| 63 | 44221121000 | GEAR-15T/P34T | 1 | 1/P | | | | | | | |
| 64 | 44221123000 | ROLLER | 2 | 5/P | | | | | | | |
| 65 | 6LA55011000 | ROLLER-U | 2 | 1/P | | ABBG02C961 | | | | | |
| 501A | 4400790620 | SCREW-M4*6 | 16 | 50/P | | | | | | MJ-1019 | |
| 501B | 4400790620 | SCREW-M4*6 | 14 | 50/P | | | | | | MJ-1020 | |
| 502 | X0-01747000 | S/BID-M4X6-ZB | 8 | 10/P | | | | | | | |
| 503 | X0-01741000 | S/BID-M3X4-ZB | 4 | 10/P | | | | | | | |
| 504 | X0-00431000 | S/BID-M3X6-ZB | 2 | 10/P | | | | | | | |
| 505 | 4402016800 | ERRING-5 | 3 | 50/P | | | | | | | |
| 506 | 4402016780 | ERRING-4 | 1 | 50/P | | | | | | | |
| 507 | 7432201208 | HPIN20/12SS | 4 | 50/P | | | | | | | |
| 508 | 4402016830 | ERRING-6.4 | 2 | 50/P | | | | | | | |
| 509 | 4402016640 | OWAS-XD11108223 | 2 | 10/P | | | | | | | |

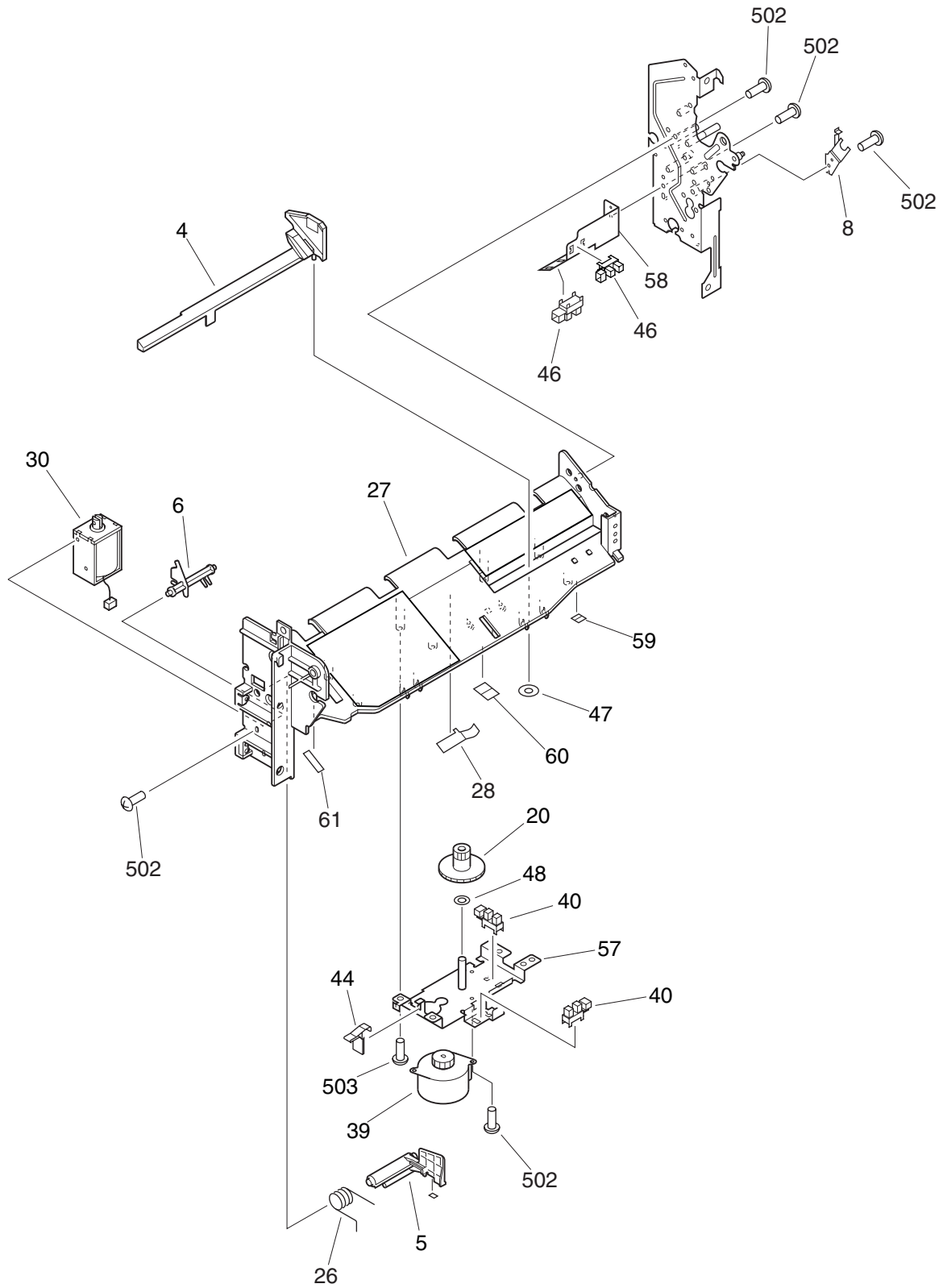


| ITEM NO. | PARTS NO. | PARTS NAME | Q'TY / PAGE | Q'TY / PACK | P | I | R | BSI NO. | TO | FROM | SERIAL NO. | REMARKS | C |
|----------|-------------|-----------------|-------------|-------------|---|---|---|---------|----|------|------------|---------|---|
| 1 | 44209801000 | GUIDE-CABLE | 1 | 1/P | | | | | | | | | |
| 2 | 4402961220 | BELT-PAPER-FEED | 2 | 1/P | | | | | | | | | |
| 3 | 44209802000 | GEAR-15T/31T | 1 | 1/P | | | | | | | | | |
| 4 | 44209803000 | HOLDER-ROL | 2 | 1/P | | | | | | | | | |
| 5 | 44209804000 | ROLLER | 2 | 1/P | | | | | | | | | |
| 6 | 4402347410 | BEARING | 1 | 1/P | | | | | | | | | |
| 7 | 44209805000 | WIRE-HARNES | 1 | 1/P | | | | | | | | | |
| 8 | 44209806000 | WIRE-HARNES | 1 | 1/P | | | | | | | | | |
| 9 | 44209666000 | PHOTOINTERRUPT | 1 | 1/C | | | | | | | | | |
| 10 | 4402961250 | FLAG-SENSOR | 1 | 1/P | | | | | | | | | |
| 11 | 4402350480 | BRKT-SENSOR | 1 | 1/P | | | | | | | | | |
| 12 | 44209807000 | ROLLER | 2 | 1/P | | | | | | | | | |
| 13 | 4402350490 | SPRING | 1 | 1/P | | | | | | | | | |
| 14 | 44210766000 | GUIDE-STPL-536 | 1 | 1/P | | | | | | | | | |
| 15 | 44221130000 | ROLLER-EXIT | 1 | 1/KP | | | | | | | | | |
| 16 | 4402350530 | CAM-SHUTTER | 1 | 1/P | | | | | | | | | |
| 17 | 44209812000 | GEAR-23T | 1 | 1/P | | | | | | | | | |
| 18 | 4402350550 | GEAR-18T | 1 | 1/P | | | | | | | | | |
| 19 | 44209813000 | ROLLER | 2 | 1/P | | | | | | | | | |
| 21 | 44209814000 | WIRE-HARNES | 1 | 1/P | | | | | | | | | |
| 22 | 4402350570 | PHOTOINTERRUPT | 1 | 1/C | | | | | | | | | |
| 23 | 44209816000 | WIRE-HARNES | 1 | 1/P | | | | | | | | | |
| 24 | 44209818000 | GUIDE-F | 1 | 1/P | | | | | | | | | |
| 25 | 44209819000 | GUIDE-R | 1 | 1/P | | | | | | | | | |
| 26 | 4407839330 | BUSHING | 1 | 5/P | | | | | | | | | |
| 30 | 41321298000 | CONNECTOR | 1 | 1/P | | | | | | | | | |
| 31 | 4402961280 | SHEET-B | 2 | 5/P | | | | | | | | | |
| 32 | 44209809000 | SHEET-F | 1 | 1/P | | | | | | | | | |
| 33 | 44209810000 | SHEET-R | 1 | 1/P | | | | | | | | | |
| 34 | 4402350070 | CONNECTOR | 1 | 5/P | | | | | | | | | |
| 35 | 4402352940 | CONNECTOR | 1 | 1/P | | | | | | | | | |
| 36 | 4402961320 | CLIP-CABLE | 2 | 5/P | | | | | | | | | |
| 37 | 44209815000 | CONNECTOR | 1 | 1/P | | | | | | | | | |
| 38 | 4402350070 | CONNECTOR | 1 | 5/P | | | | | | | | | |
| 39 | 44209817000 | CONNECTOR | 1 | 1/P | | | | | | | | | |
| 40 | 44210832000 | CUSHION | 2 | 5/P | | | | | | | | | |
| 42 | 44210005000 | BRKT-SWING | 1 | 1/P | | | | | | | | | |
| 43 | 44210767000 | K-BRKT-RB-536 | 1 | 1/P | | | | | | | | | |
| 44 | 44210768000 | BRKT-RB-536 | 1 | 1/P | | | | | | | | | |
| 45 | 44210769000 | SHEET-RB-536 | 2 | 5/P | | | | | | | | | |
| 46 | 44210770000 | LINK-RB-536 | 1 | 1/P | | | | | | | | | |
| 47 | 44210771000 | SFT-RB-536 | 1 | 1/P | | | | | | | | | |
| 48 | 44210772000 | HOLDER-RB-536 | 2 | 1/P | | | | | | | | | |
| 49 | 4407838810 | BUSHING | 2 | 5/P | | | | | | | | | |
| 50 | 44210773000 | LINK-RB | 1 | 1/P | | | | | | | | | |
| 51 | 44210774000 | COLLAR-A | 1 | 5/P | | | | | | | | | |
| 52 | 44210775000 | COLLAR-B | 1 | 5/P | | | | | | | | | |
| 501 | 44209820000 | SCREW-M2. 3*14 | 2 | 10/P | | | | | | | | | |
| 502 | X0-01741000 | S/BID-M3X4-ZB | 4 | 10/P | | | | | | | | | |
| 503 | 4402015300 | PAN-XB47400809 | 1 | 50/P | | | | | | | | | |
| 504 | 7432200808 | HPIN20/08SSDG | 2 | 50/P | | | | | | | | | |
| 505 | 4402016800 | ERRING-5 | 3 | 50/P | | | | | | | | | |
| 506 | 4402015350 | PAN-XB47401009 | 2 | 50/P | | | | | | | | | |
| 507 | 4402350590 | WASHER | 1 | 50/P | | | | | | | | | |
| 509 | 4402016730 | ERR -XD21100172 | 2 | 10/P | | | | | | | | | |
| 510 | 4402016740 | ERR-XD21100242 | 1 | 50/P | | | | | | | | | |

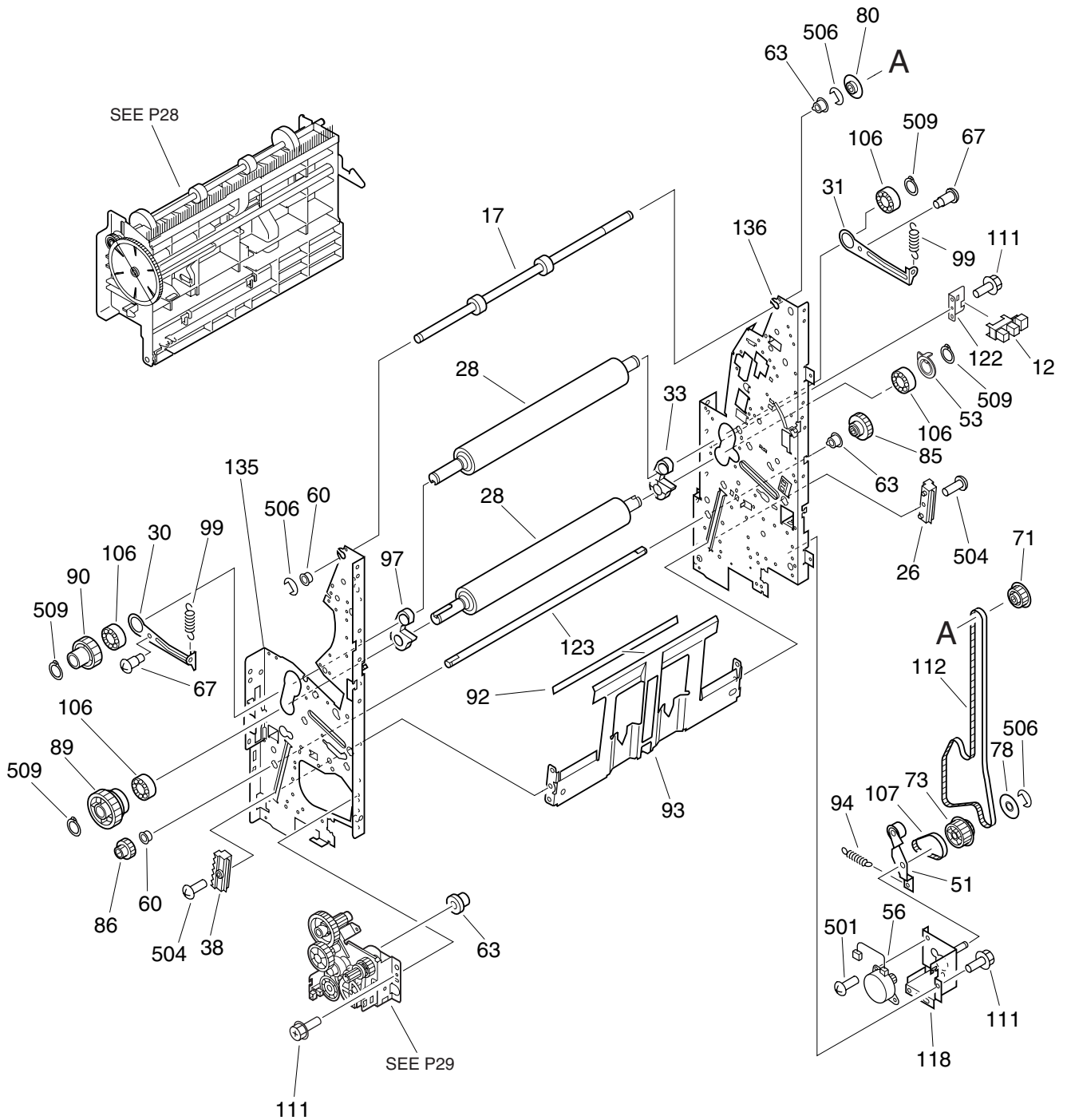


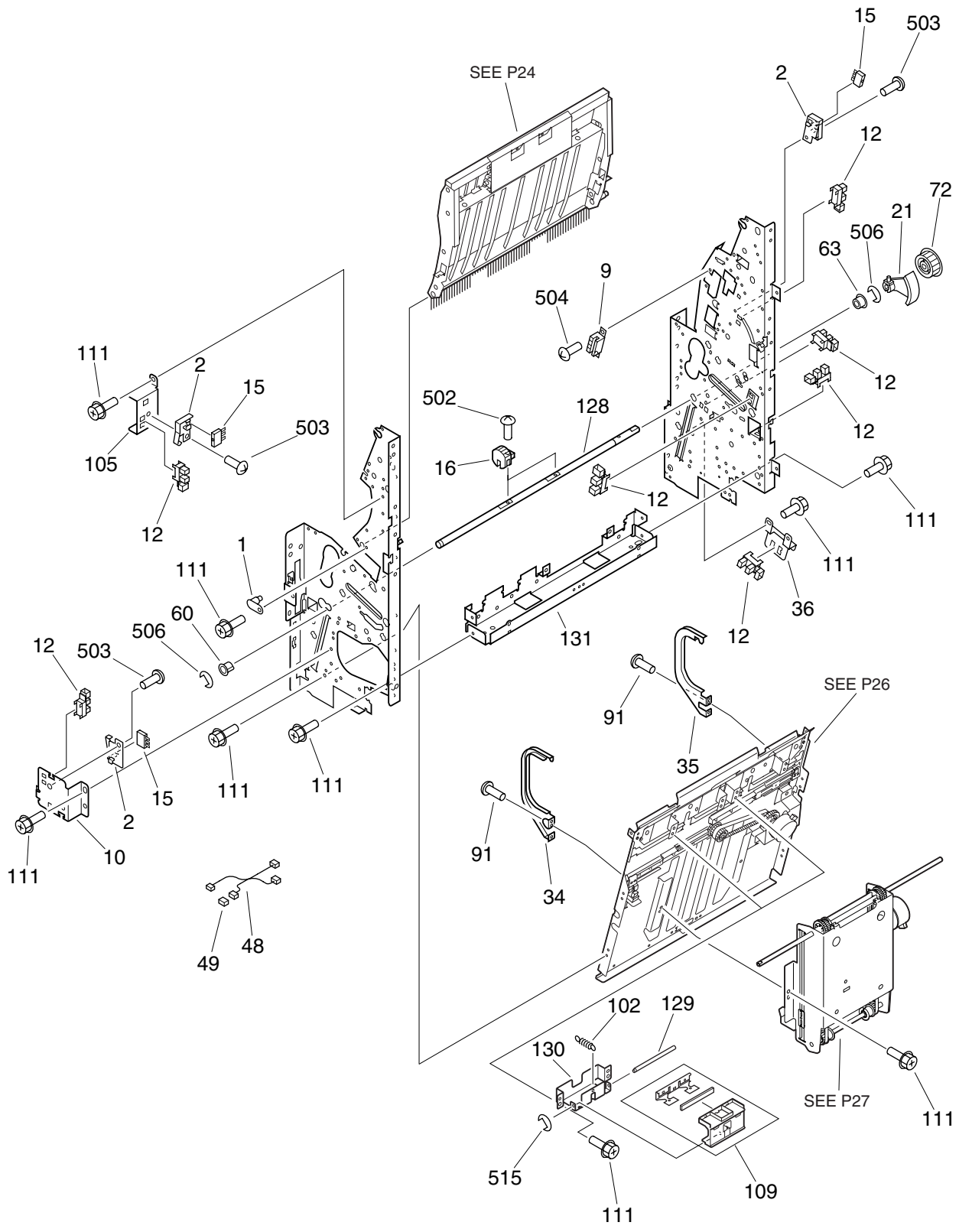
| ITEM NO. | PARTS NO. | PARTS NAME | Q'TY / PAGE | Q'TY / PACK | P | I | R | BSI NO. | TO | T | FROM | SERIAL NO. | REMARKS | C |
|----------|-------------|-----------------|-------------|-------------|-----|---|---|---------|----|---|------|------------|---------|---|
| 0 | 44210776000 | ASM-GUIDE-SWING | 1 | 1 | /C | | | | | | | | | |
| 1 | 44209823000 | ARM-STOP-F | 1 | 1 | /P | | | | | | | | | |
| 2 | 4402350800 | LEVER-SWING | 1 | 1 | /P | | | | | | | | | |
| 3 | 4402350810 | SPL | 1 | 1 | /P | | | | | | | | | |
| 4 | 4402961560 | HOLDER-ROLLER | 2 | 1 | /P | | | | | | | | | |
| 5 | 4402350830 | SHAFT | 1 | 1 | /P | | | | | | | | | |
| 6 | 4402350840 | SHAFT-ROLLER | 1 | 1 | /P | | | | | | | | | |
| 7 | 44209824000 | ARM-STOP-R | 1 | 1 | /P | | | | | | | | | |
| 8 | 44221140000 | PLATE-DRIVE | 1 | 1 | /P | | | | | | | | | |
| 9 | 44221142000 | ASM-GUIDE-548 | 1 | 1 | /C | | | | | | | | | |
| 10 | 44210030000 | K-PLATE | 2 | 1 | /P | | | | | | | | | |
| 11 | 44209827000 | PADDLE | 2 | 1 | /P | | | | | | | | | |
| 12 | 4402350960 | GEAR-21T-A | 1 | 1 | /P | | | | | | | | | |
| 13 | 4402350970 | GEAR-21T-B | 1 | 1 | /P | | | | | | | | | |
| 14 | 4402961670 | ROLLER | 2 | 5 | /P | | | | | | | | | |
| 15 | 4402961680 | ROLLER | 2 | 5 | /P | | | | | | | | | |
| 16 | 4402350990 | SPC | 1 | 5 | /P | | | | | | | | | |
| 17 | 4402351000 | SPRING | 1 | 5 | /P | | | | | | | | | |
| 18 | 4402351010 | SPRING | 1 | 5 | /P | | | | | | | | | |
| 19 | 44209828000 | SCREW-RS-M4*8 | 3 | 10 | /P | | | | | | | | | |
| 20 | 44209829000 | SOLENOID | 1 | 1 | /C | | | | | | | | | |
| 21 | 4402351030 | COLLAR-SPRING | 1 | 5 | /P | | | | | | | | | |
| 22 | 4402351050 | SPC | 1 | 5 | /P | | | | | | | | | |
| 23 | 4402352400 | BUSHING | 2 | 5 | /P | | | | | | | | | |
| 24 | 44209830000 | WIRE-HARNES | 1 | 1 | /P | | | | | | | | | |
| 25 | 44209831000 | ARM-AWING-GUIDE | 1 | 1 | /P | | | | | | | | | |
| 26 | 44209832000 | SPL-EARTH | 1 | 1 | /P | | | | | | | | | |
| 27 | 44221143000 | ASM-GUIDE-SWING | 1 | 1 | /PP | | | | | | | | | |
| 28 | 4402352710 | PLATE-EARTH-B | 1 | 1 | /P | | | | | | | | | |
| 29 | 4402352700 | PLATE-EARTH-A | 1 | 1 | /P | | | | | | | | | |
| 30 | 44209836000 | SPL-EARTH | 1 | 1 | /P | | | | | | | | | |
| 33 | 4402961700 | PADDLE | 2 | 5 | /P | | | | | | | | | |
| 34 | 4402961610 | BRUSH-E | 1 | 1 | /KP | | | | | | | | | |
| 35 | 4402961630 | BRUSH-FG | 1 | 1 | /KP | | | | | | | | | |
| 36 | 4402961580 | BRUSH-FH | 1 | 1 | /P | | | | | | | | | |
| 37 | 44209834000 | BRUSH | 1 | 1 | /KP | | | | | | | | | |
| 38 | 44209835000 | BRUSH | 2 | 1 | /KP | | | | | | | | | |
| 40 | 44209837000 | CUSHION | 2 | 5 | /P | | | | | | | | | |
| 41 | 4402349750 | DAMPER-SHUTTER | 2 | 5 | /P | | | | | | | | | |
| 42 | 44209838000 | CUSHION | 2 | 5 | /P | | | | | | | | | |
| 43 | 44209839000 | PLATE | 1 | 1 | /P | | | | | | | | | |
| 44 | 44221141000 | RIB-SWING | 1 | 1 | /C | | | | | | | | | |
| 45 | 4402349750 | DAMPER-SHUTTER | 2 | 5 | /P | | | | | | | | | |
| 501 | X0-01741000 | S/BID-M3X4-ZB | 1 | 10 | /P | | | | | | | | | |
| 502 | 4402015300 | PAN-XB47400809 | 3 | 50 | /P | | | | | | | | | |
| 503 | 4402016800 | ERRING-5 | 3 | 50 | /P | | | | | | | | | |
| 504 | 7432200808 | HPIN20/08SSDG | 1 | 50 | /P | | | | | | | | | |
| 505 | 4402961720 | SCREW-M4*12 | 1 | 10 | /P | | | | | | | | | |

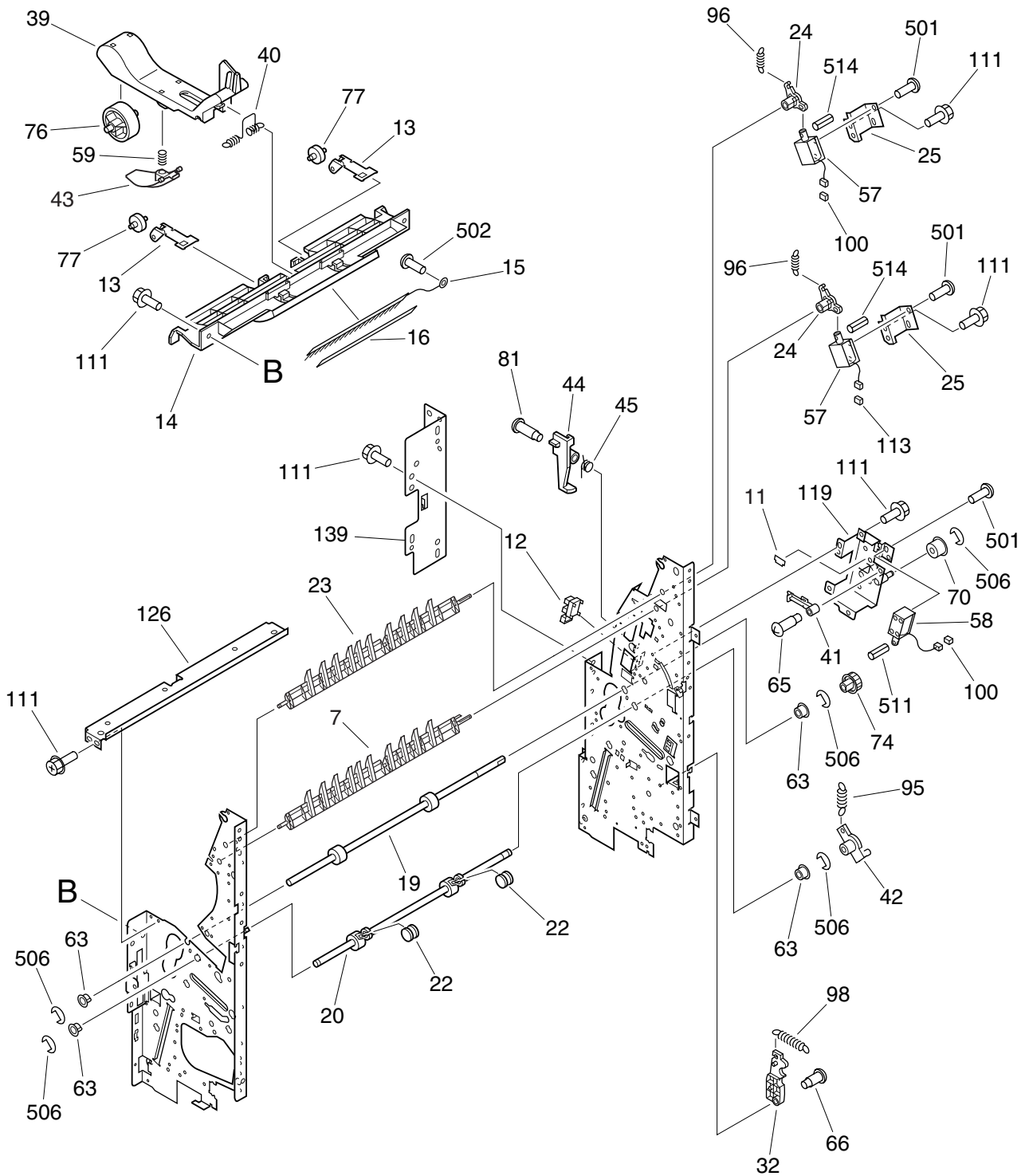




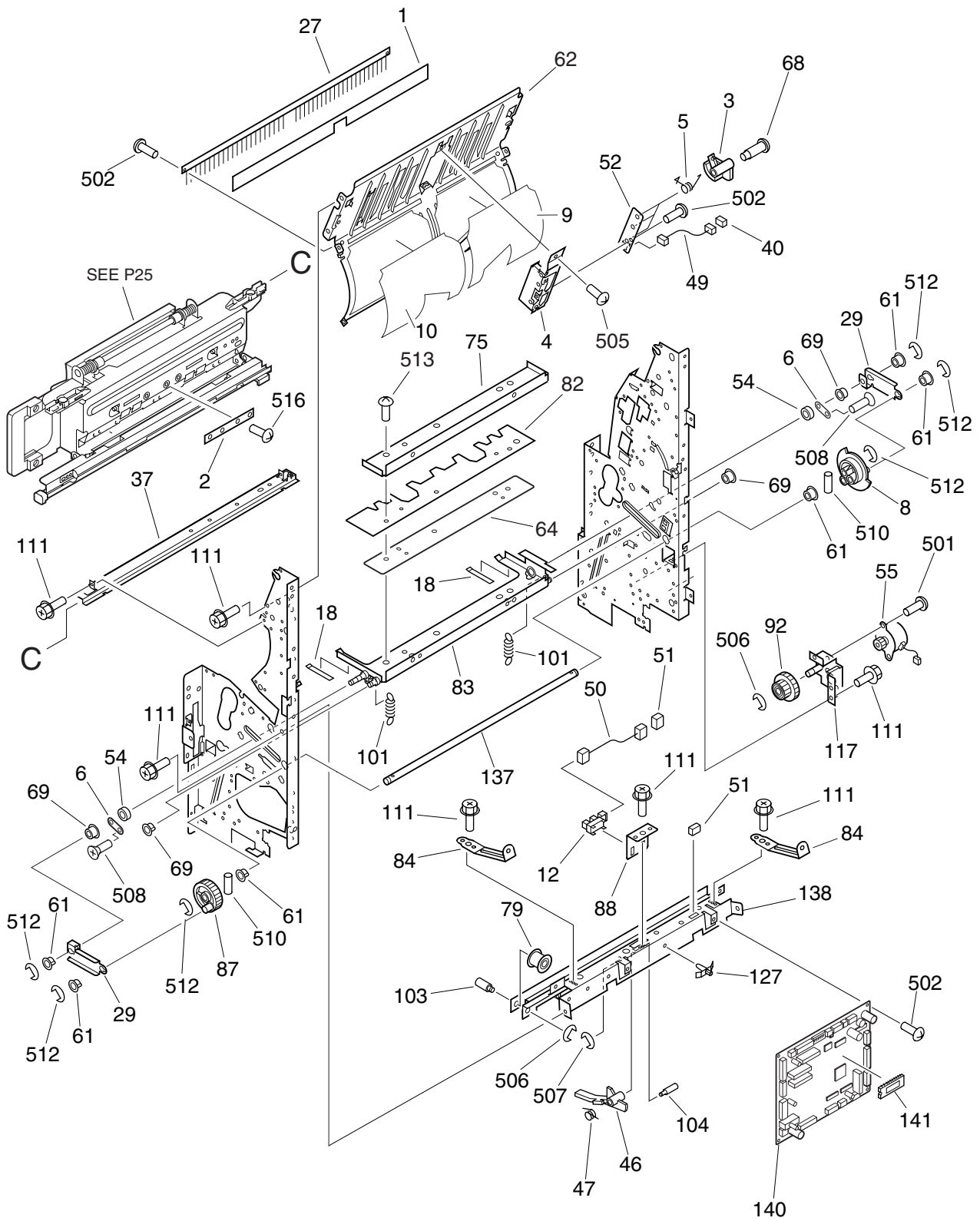
| ITEM NO. | PARTS NO. | PARTS NAME | Q'TY / PAGE | Q'TY / PACK | P | I | R | BSI NO. | TO | FROM | SERIAL NO. | REMARKS | C |
|----------|-------------|-------------------|-------------|-------------|---|---|---|---------|----|------|------------|---------|---|
| 0 | 44210789000 | ASM-STPL-536-T | 1 | 1 | C | | | | | | | | |
| 1 | 4402962350 | PLATE-UPPER | 1 | 1 | P | | | | | | | | |
| 2 | 4402351580 | PLATE-RACK | 1 | 1 | P | | | | | | | | |
| 3 | 4402351590 | PLATE-GUIDE | 1 | 1 | P | | | | | | | | |
| 4 | 4402351600 | COVER-SENSOR | 1 | 1 | P | | | | | | | | |
| 5 | 4402351610 | BELT | 1 | 1 | P | | | | | | | | |
| 6 | 4402351620 | CAM-STOP | 1 | 1 | P | | | | | | | | |
| 7 | 4402962260 | COVER-PWA | 1 | 1 | P | | | | | | | | |
| 9 | 4407838280 | SCREW-M3 | 4 | 50 | P | | | | | | | | |
| 10 | 4402351640 | GEAR-44T/P16T | 1 | 1 | P | | | | | | | | |
| 11 | 4402962270 | GEAR | 1 | 1 | P | | | | | | | | |
| 12 | 4402351660 | ROLLER | 2 | 1 | P | | | | | | | | |
| 13 | 4402351670 | ROLLER | 1 | 1 | P | | | | | | | | |
| 14 | 4402351680 | FLANGE | 1 | 5 | P | | | | | | | | |
| 15 | 4402962280 | ASM-WH-795 | 1 | 1 | C | | | | | | | | |
| 16 | 4402351700 | MOTOR-STEPPING | 1 | 1 | C | | | | | | | | |
| 17 | 4402351710 | WIRE-HARNESS | 1 | 1 | P | | | | | | | | |
| 18 | 4402351720 | WIRE-HARNESS | 1 | 1 | P | | | | | | | | |
| 19 | 4402351740 | SCREW-RS-M3*6 | 6 | 50 | P | | | | | | | | |
| 20 | 44209666000 | PHOTO INTERRUPTER | 1 | 1 | C | | | | | | | | |
| 22 | 44210791000 | COV-STPL-536 | 1 | 1 | P | | | | | | | | |
| 23 | 4402351880 | ROLLER | 2 | 1 | P | | | | | | | | |
| 24 | 4402351770 | CLAMP-CABLE | 2 | 5 | P | | | | | | | | |
| 25 | 4402351780 | GROMMET | 1 | 5 | P | | | | | | | | |
| 26 | 44210792000 | STAPLE-536 | 1 | 1 | C | | | | | | | | |
| 27 | 4402962340 | WIRE-HARNESS | 1 | 1 | P | | | | | | | | |
| 29 | 44210793000 | HLDR-CARTRIDGE | 1 | 1 | P | | | | | | | | |
| 30 | 4402962370 | BLOCK-STAPLE | 1 | 1 | P | | | | | | | | |
| 31 | 44210794000 | HANDLE-STPL-536 | 1 | 1 | P | | | | | | | | |
| 32 | 4402962390 | BRKT-STAPLE-1 | 1 | 1 | P | | | | | | | | |
| 33 | 4402962400 | BRKT-STAPLE-2 | 1 | 1 | P | | | | | | | | |
| 34 | 4402962410 | RAIL | 1 | 1 | P | | | | | | | | |
| 35 | 4402962420 | GUIDE-RAIL-C | 2 | 1 | P | | | | | | | | |
| 36 | 4400575380 | SCREW | 4 | 10 | P | | | | | | | | |
| 38 | 4402962820 | SPL-STAPLE | 1 | 1 | P | | | | | | | | |
| 39 | 44210664000 | LBL-CAUTION-T | 1 | 5 | P | | | | | | | | |
| 40 | 4402351570 | GUIDE-STAPLER | 1 | 1 | P | | | | | | | | |
| 41 | 4402352940 | CONNECTOR | 1 | 1 | P | | | | | | | | |
| 42 | 4400790740 | BAND | 6 | 10 | P | | | | | | | | |
| 50 | 4402962290 | SHEET-A | 1 | 1 | P | | | | | | | | |
| 51 | 4402962300 | SHEET-B | 1 | 1 | P | | | | | | | | |
| 52 | 4402962310 | STOPPER | 1 | 1 | P | | | | | | | | |
| 53 | 4400590320 | BAND | 2 | 5 | P | | | | | | | | |
| 54 | 4402962320 | MOUNT-CABLE | 2 | 1 | P | | | | | | | | |
| 55 | 44209878000 | CORE-FERRITE | 1 | 1 | P | | | | | | | | |
| 501 | 4402016800 | ERRING-5 | 1 | 50 | P | | | | | | | | |
| 502 | 4402016830 | ERRING-6.4 | 1 | 50 | P | | | | | | | | |
| 503 | X0-00431000 | S/BID-M3X6-ZB | 9 | 10 | P | | | | | | | | |
| 504 | 4402015240 | PAN-XB47300809 | 3 | 50 | P | | | | | | | | |
| 506 | 4402962440 | SCREW-M4*6 | 3 | 10 | P | | | | | | | | |
| 507 | X0-01747000 | S/BID-M4X6-ZB | 2 | 10 | P | | | | | | | | |



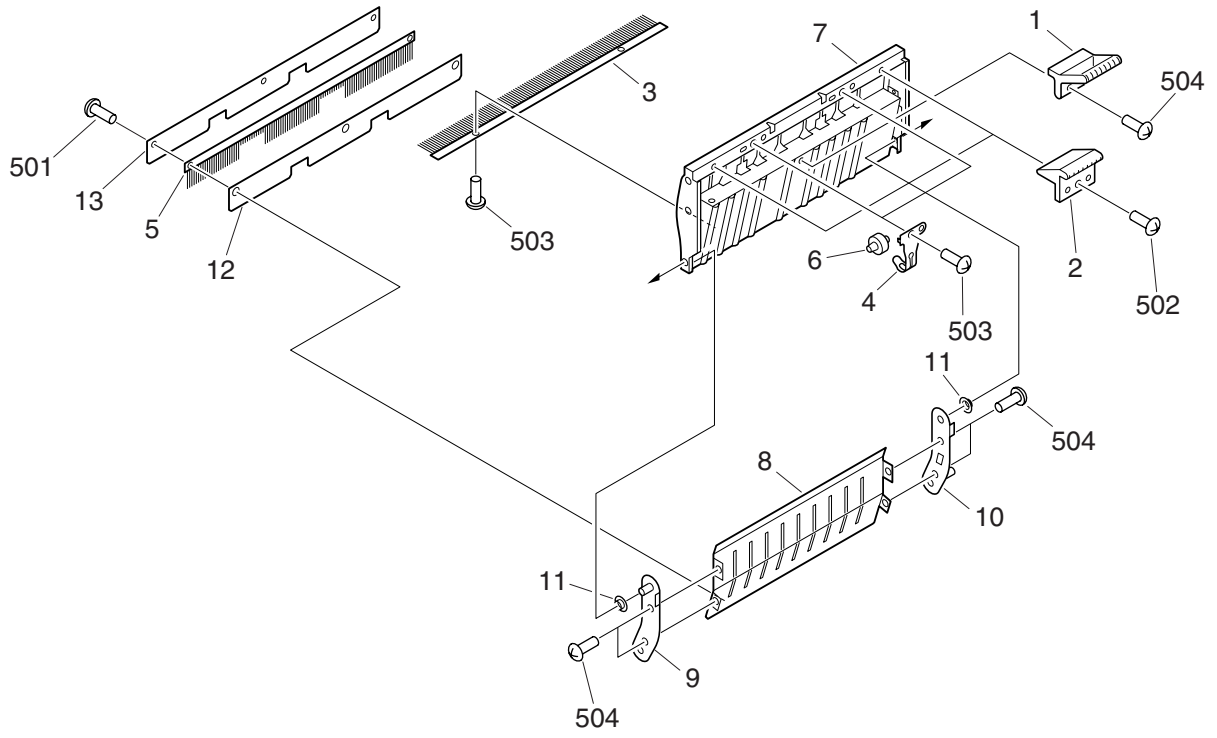




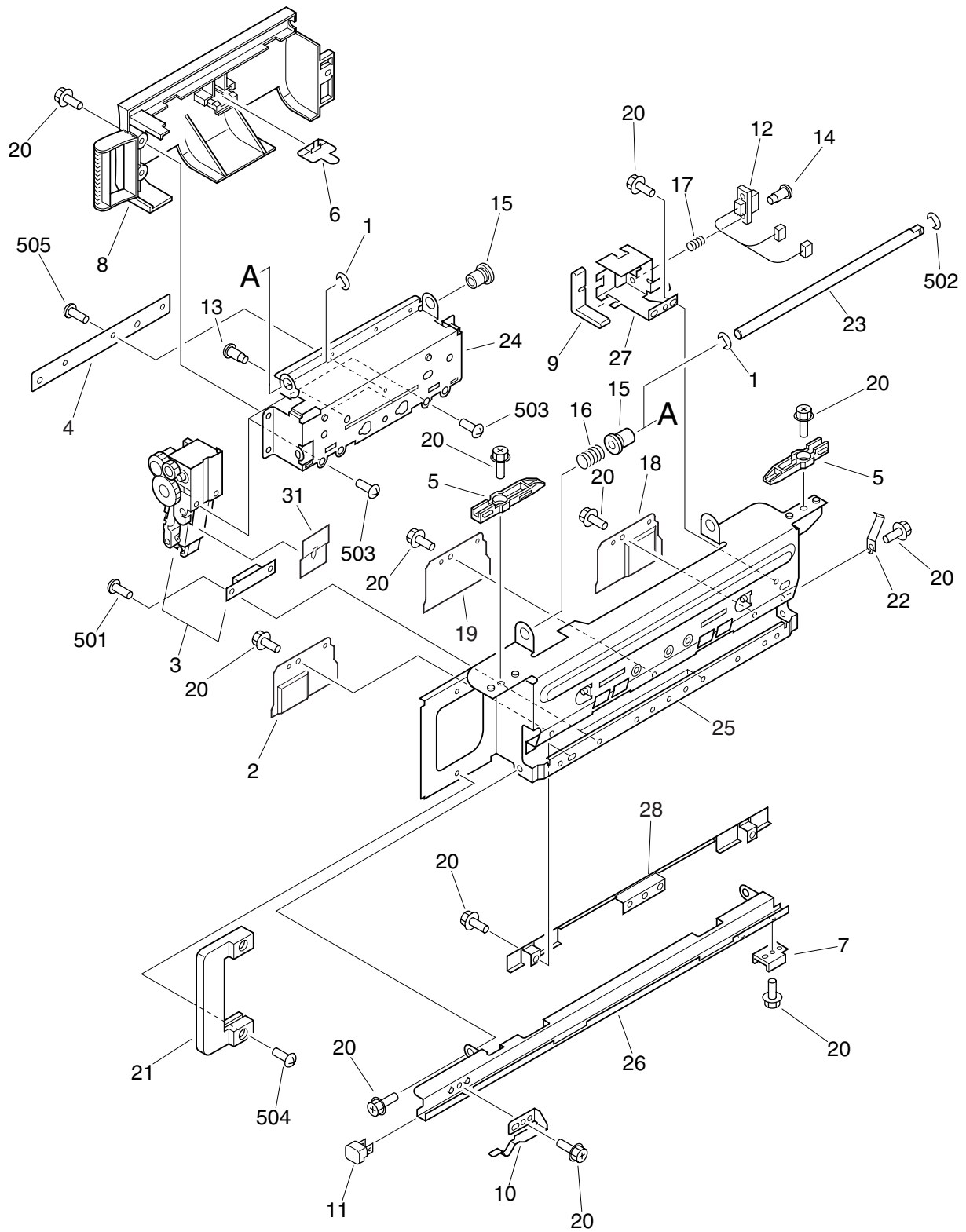
| ITEM NO. | PARTS NO. | PARTS NAME | QTY / PAGE | QTY / PACK | PI | R | BSI NO. | TO | FROM | SERIAL NO. | REMARKS | C |
|----------|-------------|------------------|------------|------------|----|---|---------|----|------|------------|---------|---|
| 7B | 44209885000 | FLAPPER | 1 | 1/P | | | | | | | MJ-1020 | |
| 11B | 44209886000 | SHEET | 1 | 5/P | | | | | | | MJ-1020 | |
| 12B | 4402966330 | PHOTO INTERRUPT | 1 | 1/C | | | | | | | MJ-1020 | |
| 13B | 44221170000 | SPL | 2 | 1/P | | | | | | | MJ-1020 | |
| 14B | 4402967900 | K-GUIDE-U-502 | 1 | 1/KP | | | | | | | MJ-1020 | |
| 15B | 4402969000 | BRUSH | 1 | 1/KP | | | | | | | MJ-1020 | |
| 16B | 4402969010 | SHEET | 1 | 1/KP | | | | | | | MJ-1020 | |
| 19B | 44209889000 | SHEET | 1 | 5/P | | | | | | | MJ-1020 | |
| 20B | 44209890000 | SHAFT-CAM | 1 | 1/P | | | | | | | MJ-1020 | |
| 22B | 4402967990 | ROL-BACK-UP | 2 | 1/P | | | | | | | MJ-1020 | |
| 23B | 4402968000 | DEFLECTOR | 1 | 1/KP | | | | | | | MJ-1020 | |
| 24B | 4402968010 | ARM-DEFLECTOR | 2 | 1/P | | | | | | | MJ-1020 | |
| 25B | 4402968020 | BRKT-SOLENOID | 2 | 1/P | | | | | | | MJ-1020 | |
| 32B | 4402968090 | LEVER-STOPPER | 1 | 1/P | | | | | | | MJ-1020 | |
| 39B | 44210677000 | HLDR-PAPER-1-T | 1 | 1/P | | | | | | | MJ-1020 | |
| 40B | 4402968180 | SPRING | 1 | 1/P | | | | | | | MJ-1020 | |
| 41B | 4402968190 | LINK-ROLLER-1 | 1 | 1/P | | | | | | | MJ-1020 | |
| 42B | 4402968200 | LINK-ROLLER-2 | 1 | 1/P | | | | | | | MJ-1020 | |
| 43B | 44210678000 | HLDR-PAPER-2-T | 1 | 1/P | | | | | | | MJ-1020 | |
| 44B | 4402968220 | FLAG-SENSOR | 1 | 1/P | | | | | | | MJ-1020 | |
| 45B | 4402968230 | SPRING | 1 | 5/P | | | | | | | MJ-1020 | |
| 57B | 4402968350 | SOLENOID | 2 | 1/C | | | | | | | MJ-1020 | |
| 58B | 4402968360 | SOLENOID | 1 | 1/C | | | | | | | MJ-1020 | |
| 59B | 44209896000 | SPC | 1 | 1/P | | | | | | | MJ-1020 | |
| 63B | 4407839330 | BUSHING | 4 | 5/P | | | | | | | MJ-1020 | |
| 65B | 4402343550 | SCREW-M4 | 1 | 10/P | | | | | | | MJ-1020 | |
| 66B | 4407838830 | SCREW-M4 | 1 | 50/P | | | | | | | MJ-1020 | |
| 70B | 4402968400 | PULLEY | 1 | 1/P | | | | | | | MJ-1020 | |
| 74B | 4402968440 | PULLEY-24 | 1 | 1/P | | | | | | | MJ-1020 | |
| 76B | 4402968460 | ROLLER | 1 | 1/P | | | | | | | MJ-1020 | |
| 77B | 44221171000 | ROLLER-EXIT | 2 | 1/P | | | | | | | MJ-1020 | |
| 81B | 4402968510 | SCREW-M3 | 1 | 10/P | | | | | | | MJ-1020 | |
| 95B | 44209899000 | SPE | 1 | 5/P | | | | | | | MJ-1020 | |
| 96B | 4402968660 | SPRING | 2 | 5/P | | | | | | | MJ-1020 | |
| 98B | 4402968680 | SPRING | 1 | 5/P | | | | | | | MJ-1020 | |
| 100B | 4402350070 | CONNECTOR | 2 | 5/P | | | | | | | MJ-1020 | |
| 111B | 4400792330 | SCREW-RS-M4 | 7 | 50/P | | | | | | | MJ-1020 | |
| 113B | 44209903000 | CONNECTOR | 1 | 1/P | | | | | | | MJ-1020 | |
| 119B | 44209907000 | BRKT-SND | 1 | 1/P | | | | | | | MJ-1020 | |
| 126B | 4402969090 | STAY-UPPER | 1 | 1/P | | | | | | | MJ-1020 | |
| 139B | 4402969100 | BRKT | 1 | 1/P | | | | | | | MJ-1020 | |
| 501B | X0-01741000 | S/BID-M3X4-ZB | 3 | 10/P | | | | | | | MJ-1020 | |
| 502B | X0-00431000 | S/BID-M3X6-ZB | 1 | 10/P | | | | | | | MJ-1020 | |
| 506B | 4402016800 | ERRING-5 | 5 | 50/P | | | | | | | MJ-1020 | |
| 511B | X0-01016000 | P/SPW/AW-3X10-SS | 1 | 10/P | | | | | | | MJ-1020 | |
| 514B | X0-01893000 | P/SPW/AW-3X8-SS | 2 | 10/P | | | | | | | MJ-1020 | |



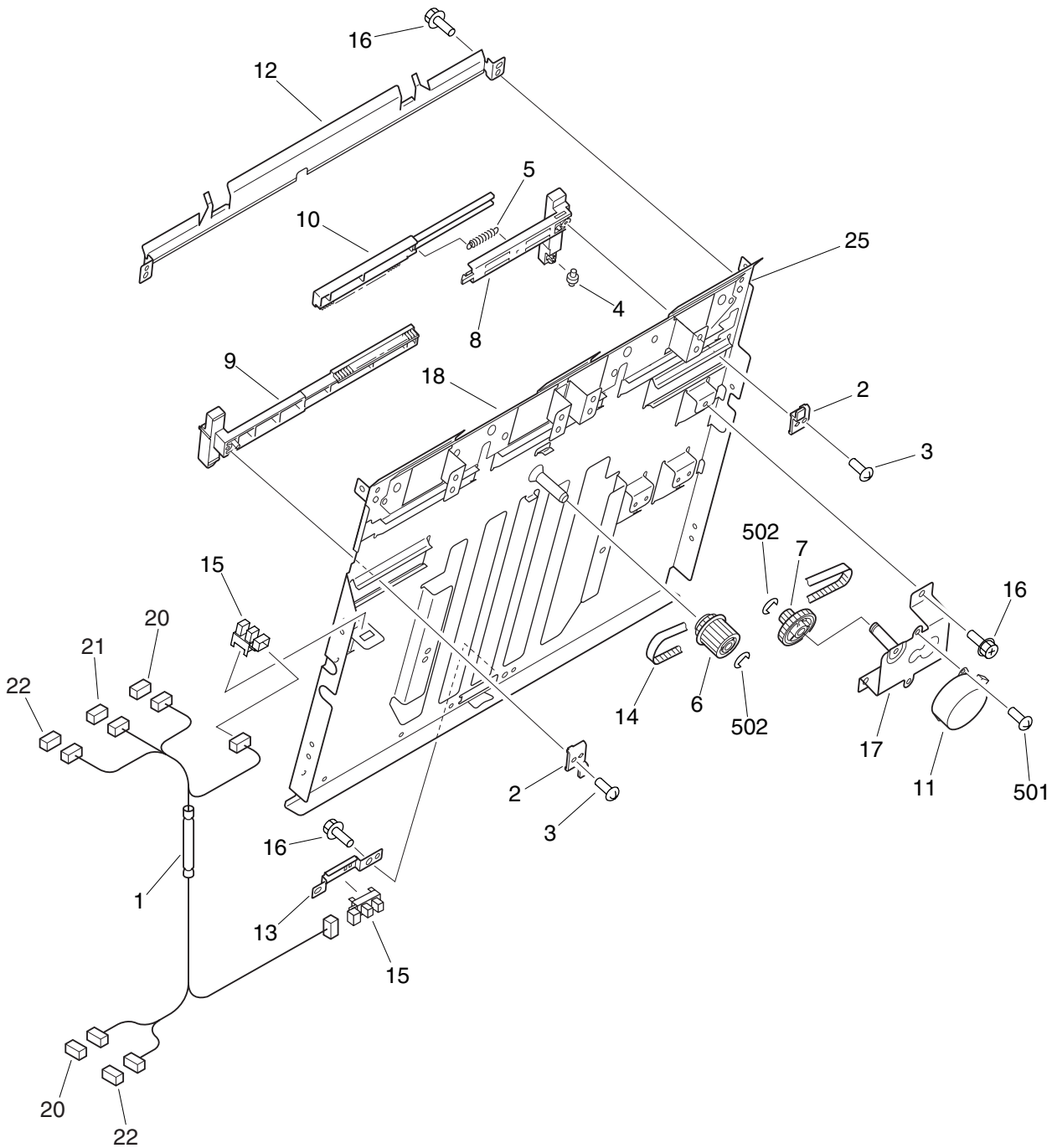
| ITEM NO. | PARTS NO. | PARTS NAME | Q'TY / PAGE | Q'TY / PACK | PI | R | BSI NO. | TO | T | FROM | SERIAL NO. | REMARKS | C |
|----------|-------------|-----------------|-------------|-------------|----|---|---------|----|---|------|------------|---------|---|
| 1B | 44210795000 | SHEET-GUIDE | 1 | 1/KP | | | | | | | | MJ-1020 | |
| 2B | 44210799000 | PLATE-STPL-537 | 1 | 1/P | | | | | | | | MJ-1020 | |
| 3B | 4402967790 | FLAG-SENSOR | 3 | 1/P | | | | | | | | MJ-1020 | |
| 4B | 4402967800 | BRKT-SENSOR | 1 | 1/P | | | | | | | | MJ-1020 | |
| 5B | 4402967810 | SPRING | 3 | 1/P | | | | | | | | MJ-1020 | |
| 6B | 4402969110 | PLATE-BACK-UP | 2 | 1/P | | | | | | | | MJ-1020 | |
| 8B | 4402967840 | PLATE | 1 | 1/P | | | | | | | | MJ-1020 | |
| 9B | 44210796000 | SHEET-GUIDE-U-1 | 1 | 1/KP | | | | | | | | MJ-1020 | |
| 10B | 44210797000 | SHEET-GUIDE-U-2 | 1 | 1/KP | | | | | | | | MJ-1020 | |
| 12B | 4402966330 | PHOTOINTERRUPT | 1 | 1/C | | | | | | | | MJ-1020 | |
| 18B | 44209888000 | SHEET | 2 | 5/P | | | | | | | | MJ-1020 | |
| 27B | 4402968770 | BRUSH | 1 | 1/KP | | | | | | | | MJ-1020 | |
| 29B | 4402968060 | PLATE | 2 | 1/P | | | | | | | | MJ-1020 | |
| 37B | 4402968140 | RAIL-SLIDE-U | 1 | 1/P | | | | | | | | MJ-1020 | |
| 40B | 4402350080 | CONNECTOR | 1 | 5/P | | | | | | | | MJ-1020 | |
| 46B | 4402968240 | FLAG-SENSOR | 1 | 1/P | | | | | | | | MJ-1020 | |
| 47B | 4402968250 | SPRING | 1 | 5/P | | | | | | | | MJ-1020 | |
| 49B | 44209893000 | WIRE-HARNES | 1 | 1/P | | | | | | | | MJ-1020 | |
| 50B | 4402968280 | WIRE-HARNES | 1 | 1/P | | | | | | | | MJ-1020 | |
| 51B | 4402350100 | CONNECTOR | 1 | 5/P | | | | | | | | MJ-1020 | |
| 52B | 4402968300 | PWA-PAPER-SENS | 1 | 1/SB | | | | | | | | MJ-1020 | |
| 54B | 44209895000 | FLANGE | 2 | 1/P | | | | | | | | MJ-1020 | |
| 55B | 4402968330 | MOTOR | 1 | 1/C | | | | | | | | MJ-1020 | |
| 61B | 4400575620 | BUSHING | 6 | 5/P | | | | | | | | MJ-1020 | |
| 62B | 44209897000 | GUIDE-SADDLE-U | 1 | 1/P | | | | | | | | MJ-1020 | |
| 64B | 4402969120 | SPACER | 1 | 1/KP | | | | | | | | MJ-1020 | |
| 68B | 4402967690 | SCREW | 3 | 10/P | | | | | | | | MJ-1020 | |
| 69B | 4402968390 | BUSHING | 4 | 5/P | | | | | | | | MJ-1020 | |
| 75B | 4402968980 | PLATE-HOLDER-2 | 1 | 1/P | | | | | | | | MJ-1020 | |
| 79B | 4402968490 | ROLLER | 1 | 1/P | | | | | | | | MJ-1020 | |
| 82B | 4402353400 | PLATE | 1 | 1/P | | | | | | | | MJ-1020 | |
| 83B | 4402968960 | PLATE-HOLDER-1 | 1 | 1/P | | | | | | | | MJ-1020 | |
| 84B | 4402968950 | PLATE-COVER | 2 | 1/P | | | | | | | | MJ-1020 | |
| 87B | 4402968570 | GEAR-44T | 1 | 1/P | | | | | | | | MJ-1020 | |
| 88B | 4402968940 | BRKT-SENSOR | 1 | 1/P | | | | | | | | MJ-1020 | |
| 92B | 4402968620 | GEAR-22T/48T | 1 | 1/P | | | | | | | | MJ-1020 | |
| 101B | 4402968710 | SPRING | 2 | 5/P | | | | | | | | MJ-1020 | |
| 103B | 4402968730 | SHAFT-ROLLER | 1 | 1/P | | | | | | | | MJ-1020 | |
| 104B | 4402968740 | SHAFT-BACK-UP | 1 | 1/P | | | | | | | | MJ-1020 | |
| 111B | 4400792330 | SCREW-RS-M4 | 7 | 50/P | | | | | | | | MJ-1020 | |
| 117B | 4402969070 | K-BRKT-MOTOR | 1 | 1/P | | | | | | | | MJ-1020 | |
| 127B | 4402968780 | SPACER-SUPPORT | 1 | 5/P | | | | | | | | MJ-1020 | |
| 137B | 4402968040 | SHAFT | 1 | 1/P | | | | | | | | MJ-1020 | |
| 138B | 4402969080 | RAIL-LOWER | 1 | 1/P | | | | | | | | MJ-1020 | |
| 140B | 44221180000 | PWA-LGC-548 | 1 | 1/SB | | | | | | | | MJ-1020 | |
| 141B | 44221181000 | PRA-T548SRT-00 | 1 | 1/S | | | | | | | | MJ-1020 | |
| 501B | X0-01741000 | S/BID-M3X4-ZB | 2 | 10/P | | | | | | | | MJ-1020 | |
| 502B | X0-00431000 | S/BID-M3X6-ZB | 5 | 10/P | | | | | | | | MJ-1020 | |
| 505B | X0-01748000 | S/BID-M4X4-ZB | 1 | 10/P | | | | | | | | MJ-1020 | |
| 506B | 4402016800 | ERRING-5 | 2 | 50/P | | | | | | | | MJ-1020 | |
| 507B | 4402016760 | ERRING-3.2 | 1 | 50/P | | | | | | | | MJ-1020 | |
| 508B | X0-00341000 | S/CTS-M4X8-ZB | 2 | 10/P | | | | | | | | MJ-1020 | |
| 510B | 7432302008 | HPIN30/20SS | 2 | 50/P | | | | | | | | MJ-1020 | |
| 512B | 4402016830 | ERRING-6.4 | 6 | 50/P | | | | | | | | MJ-1020 | |
| 513B | X0-01820000 | S/FPAN-M4X6-ZB | 3 | 10/P | | | | | | | | MJ-1020 | |
| 516B | 4402967000 | SCREW-M3*6 | 1 | 10/P | | | | | | | | MJ-1020 | |

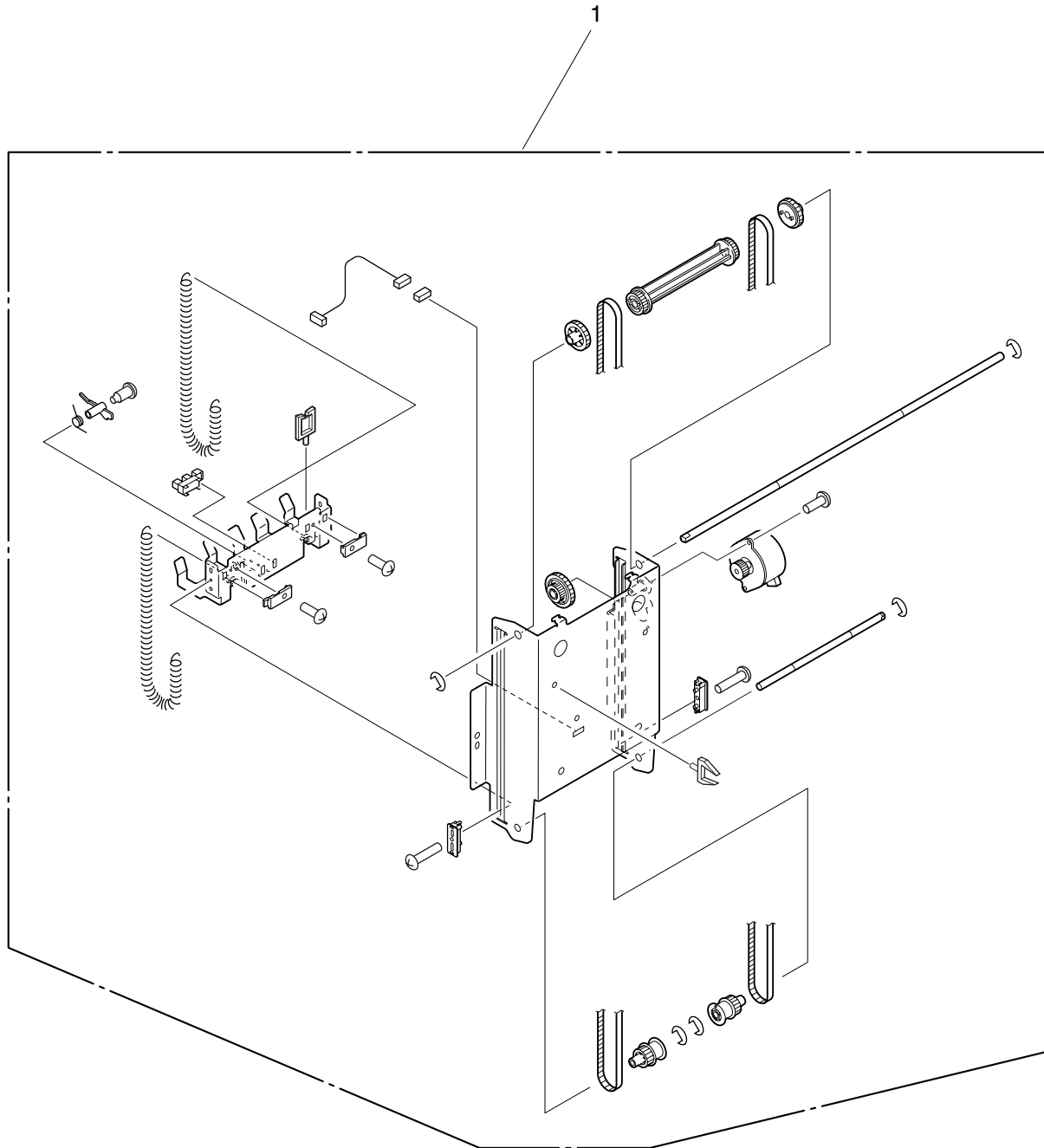


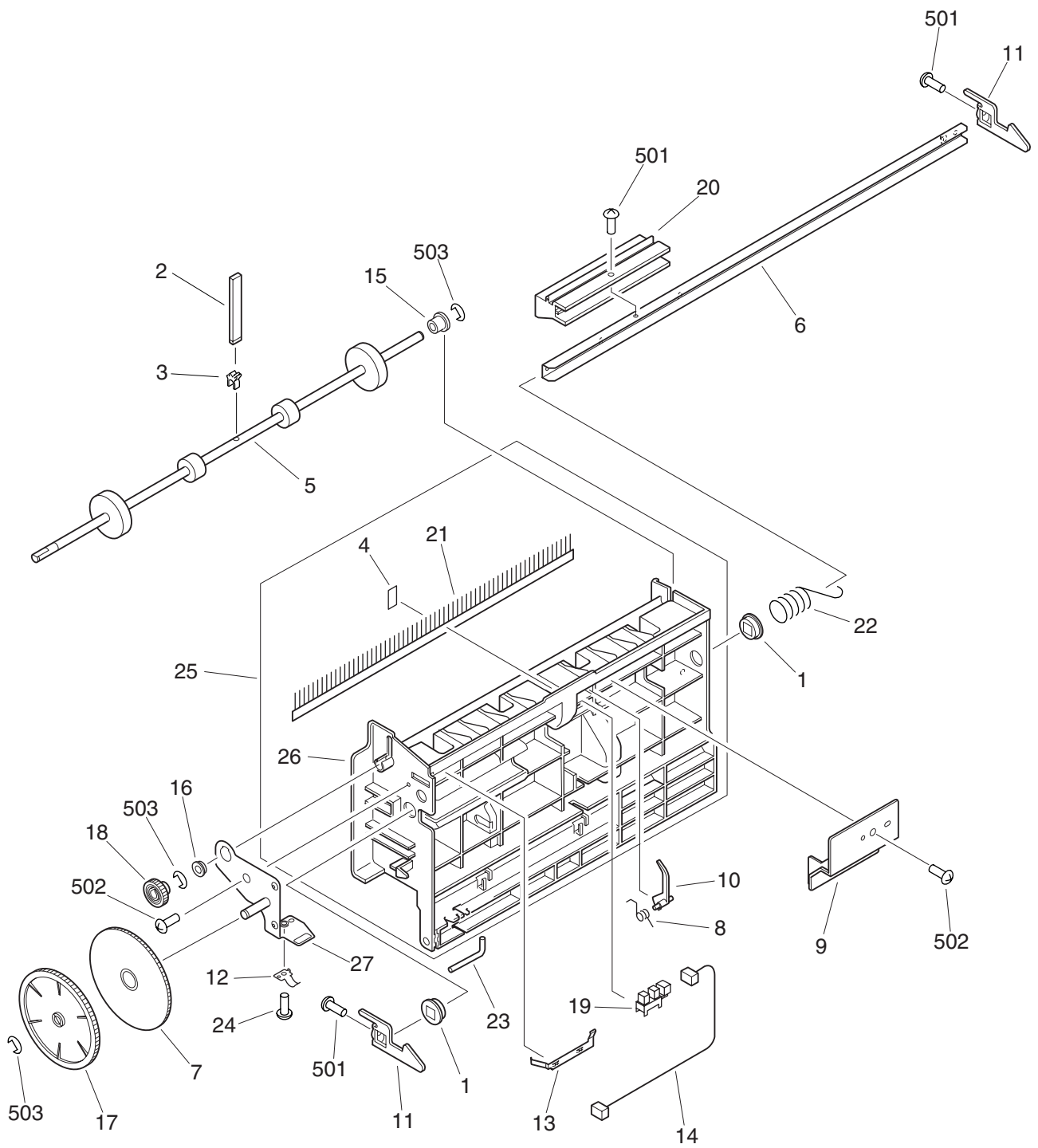
| ITEM NO. | PARTS NO. | PARTS NAME | QTY / PAGE | QTY / PACK | P | I | R | BSI NO. | TO | FROM | SERIAL NO. | REMARKS | C |
|----------|-------------|----------------|------------|------------|---|---|---|---------|----|------|------------|---------|---|
| 0B | 4421080000 | ASM-GUIDE-537 | 1 | 1/C | | | | | | | | MJ-1020 | |
| 1B | 44209582000 | LEVER | 1 | 1/P | | | | | | | | MJ-1020 | |
| 2B | 4402963780 | GUIDE-COV-JAM | 2 | 1/P | | | | | | | | MJ-1020 | |
| 3B | 4402968880 | BRUSH | 1 | 1/KP | | | | | | | | MJ-1020 | |
| 4B | 44221190000 | SPL | 2 | 1/P | | | | | | | | MJ-1020 | |
| 5B | 44209913000 | BRUSH | 1 | 1/KP | | | | | | | | MJ-1020 | |
| 6B | 44221191000 | ROLLER-INLET | 2 | 1/P | | | | | | | | MJ-1020 | |
| 7B | 44210623000 | GUIDE-SADDLE-2 | 1 | 1/PP | | | | | | | | MJ-1020 | |
| 8B | 44210622000 | GUIDE-SADDLE-1 | 1 | 1/PP | | | | | | | | MJ-1020 | |
| 9B | 44210801000 | PLATE-GUIDE-F | 1 | 1/P | | | | | | | | MJ-1020 | |
| 10B | 44210802000 | PLATE-GUIDE-R | 1 | 1/P | | | | | | | | MJ-1020 | |
| 11B | 44210803000 | BUSHING | 2 | 5/P | | | | | | | | MJ-1020 | |
| 12B | 44209914000 | SHEET-1 | 1 | 1/KP | | | | | | | | MJ-1020 | |
| 13B | 44209915000 | SHEET-2 | 1 | 1/KP | | | | | | | | MJ-1020 | |
| 501B | X0-01741000 | S/BID-M3X4-ZB | 3 | 10/P | | | | | | | | MJ-1020 | |
| 502B | X0-01747000 | S/BID-M4X6-ZB | 4 | 10/P | | | | | | | | MJ-1020 | |
| 503B | 44209734000 | SCREW-M4*4.5 | 2 | 10/P | | | | | | | | MJ-1020 | |
| 504B | 4400790620 | SCREW-M4*6 | 6 | 50/P | | | | | | | | MJ-1020 | |



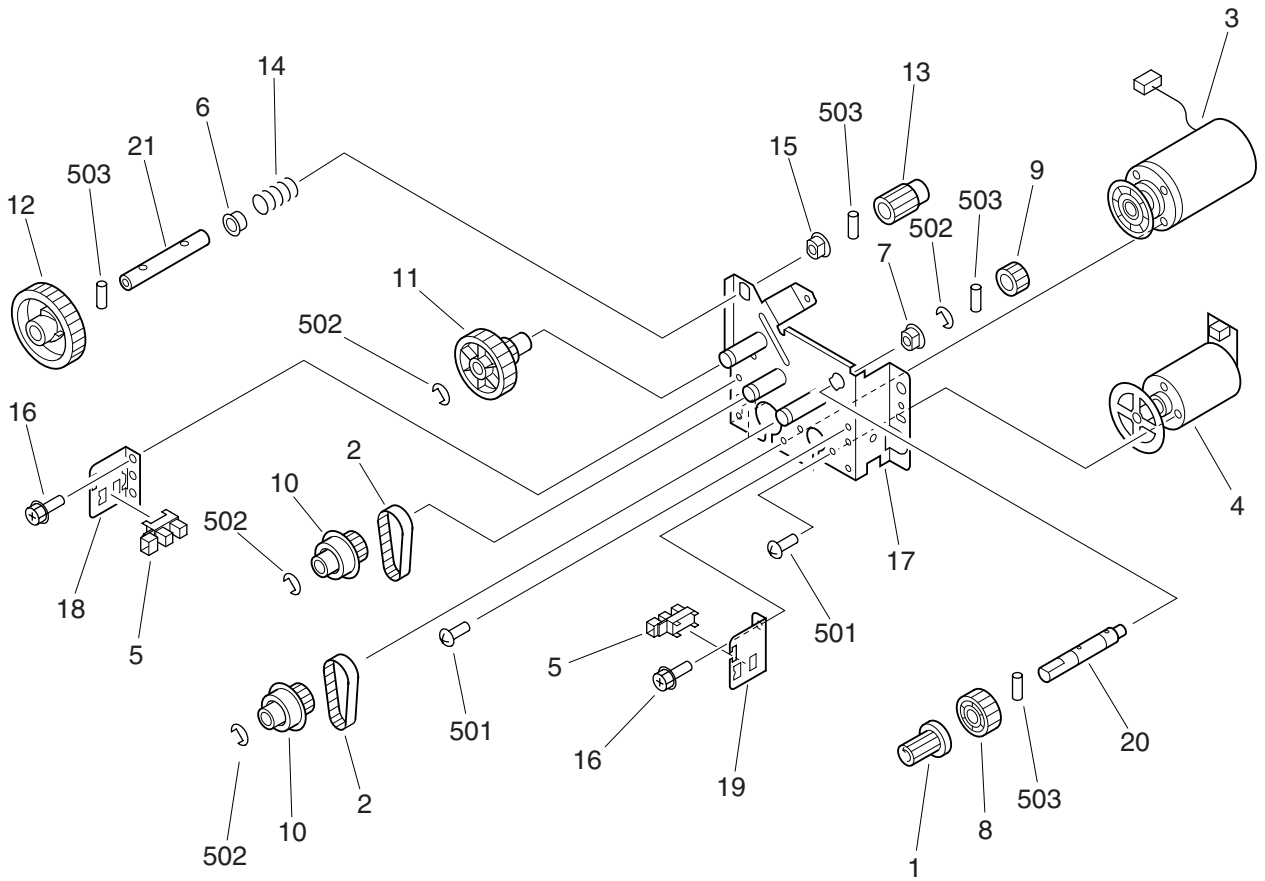
| ITEM NO. | PARTS NO. | PARTS NAME | QTY / PAGE | QTY / PACK | P | I | R | BSI NO. | TO | FROM | SERIAL NO. | REMARKS | C |
|----------|-------------|-----------------|------------|------------|---|---|---|---------|----|------|------------|---------|---|
| 0B | 44210804000 | ASM-STPL-SADDLE | 1 | 1/C | | | | | | | | MJ-1020 | |
| 1B | 4402969610 | WASHER | 2 | 5/P | | | | | | | | MJ-1020 | |
| 2B | 44209920000 | GUIDE-STPL-2 | 1 | 1/P | | | | | | | | MJ-1020 | |
| 3B | 4402969630 | STAPLER-502 | 2 | 1/C | | | | | | | | MJ-1020 | |
| 4B | 4402969810 | SPACER-STAPLER | 1 | 5/P | | | | | | | | MJ-1020 | |
| 5B | 4402969650 | SLIDER-UPPER | 2 | 1/P | | | | | | | | MJ-1020 | |
| 6B | 4402969660 | PLATE | 1 | 1/P | | | | | | | | MJ-1020 | |
| 7B | 4402969670 | SLIDER-LOWER | 1 | 1/P | | | | | | | | MJ-1020 | |
| 8B | 4402969680 | COVER-STAPLER | 1 | 1/PP | | | | | | | | MJ-1020 | |
| 9B | 4402969690 | COVER | 1 | 1/P | | | | | | | | MJ-1020 | |
| 10B | 4402969700 | SPL | 1 | 1/P | | | | | | | | MJ-1020 | |
| 11B | 4402969710 | COV-STAPLER | 1 | 1/P | | | | | | | | MJ-1020 | |
| 12B | 44209923000 | WIRE-HARNESS | 1 | 1/P | | | | | | | | MJ-1020 | |
| 13B | 4407839350 | SCREW-M4 | 2 | 50/P | | | | | | | | MJ-1020 | |
| 14B | 4402969740 | SCREW-M3*13.6 | 2 | 10/P | | | | | | | | MJ-1020 | |
| 15B | 4402969750 | BUSHING | 2 | 1/P | | | | | | | | MJ-1020 | |
| 16B | 4402969760 | SPRING | 1 | 5/P | | | | | | | | MJ-1020 | |
| 17B | 4402969770 | SPRING | 2 | 5/P | | | | | | | | MJ-1020 | |
| 18B | 44209924000 | GUIDE-STPL-3 | 1 | 1/P | | | | | | | | MJ-1020 | |
| 19B | 44209925000 | GUIDE-STPL-1 | 1 | 1/P | | | | | | | | MJ-1020 | |
| 20B | 4400792330 | SCREW-RS-M4 | 16 | 50/P | | | | | | | | MJ-1020 | |
| 21B | 4402969780 | HANDLE | 1 | 1/P | | | | | | | | MJ-1020 | |
| 22B | 4402969790 | SPL | 1 | 1/P | | | | | | | | MJ-1020 | |
| 23B | 4402969640 | SHAFT | 1 | 1/P | | | | | | | | MJ-1020 | |
| 24B | 4402969820 | BASE-STPL-502 | 1 | 1/P | | | | | | | | MJ-1020 | |
| 25B | 4402969860 | FRAME-STPL-502 | 1 | 1/P | | | | | | | | MJ-1020 | |
| 26B | 4402969850 | GUIDE-STAPLER | 1 | 1/P | | | | | | | | MJ-1020 | |
| 27B | 4402969830 | STOPPER | 1 | 1/P | | | | | | | | MJ-1020 | |
| 28B | 4402969840 | GUIDE | 1 | 1/P | | | | | | | | MJ-1020 | |
| 31B | 4402969800 | SHEET-STAPLER | 1 | 5/P | | | | | | | | MJ-1020 | |
| 501B | X0-01820000 | S/FPAN-M4X6-ZB | 7 | 10/P | | | | | | | | MJ-1020 | |
| 502B | 4402016830 | ERRING-6.4 | 1 | 50/P | | | | | | | | MJ-1020 | |
| 503B | X0-01821000 | S/FPAN-M4X8-ZB | 4 | 10/P | | | | | | | | MJ-1020 | |
| 504B | X0-01279000 | S/BID-M4X10-NC | 2 | 10/P | | | | | | | | MJ-1020 | |
| 505B | X0-01748000 | S/BID-M4X4-ZB | 1 | 10/P | | | | | | | | MJ-1020 | |

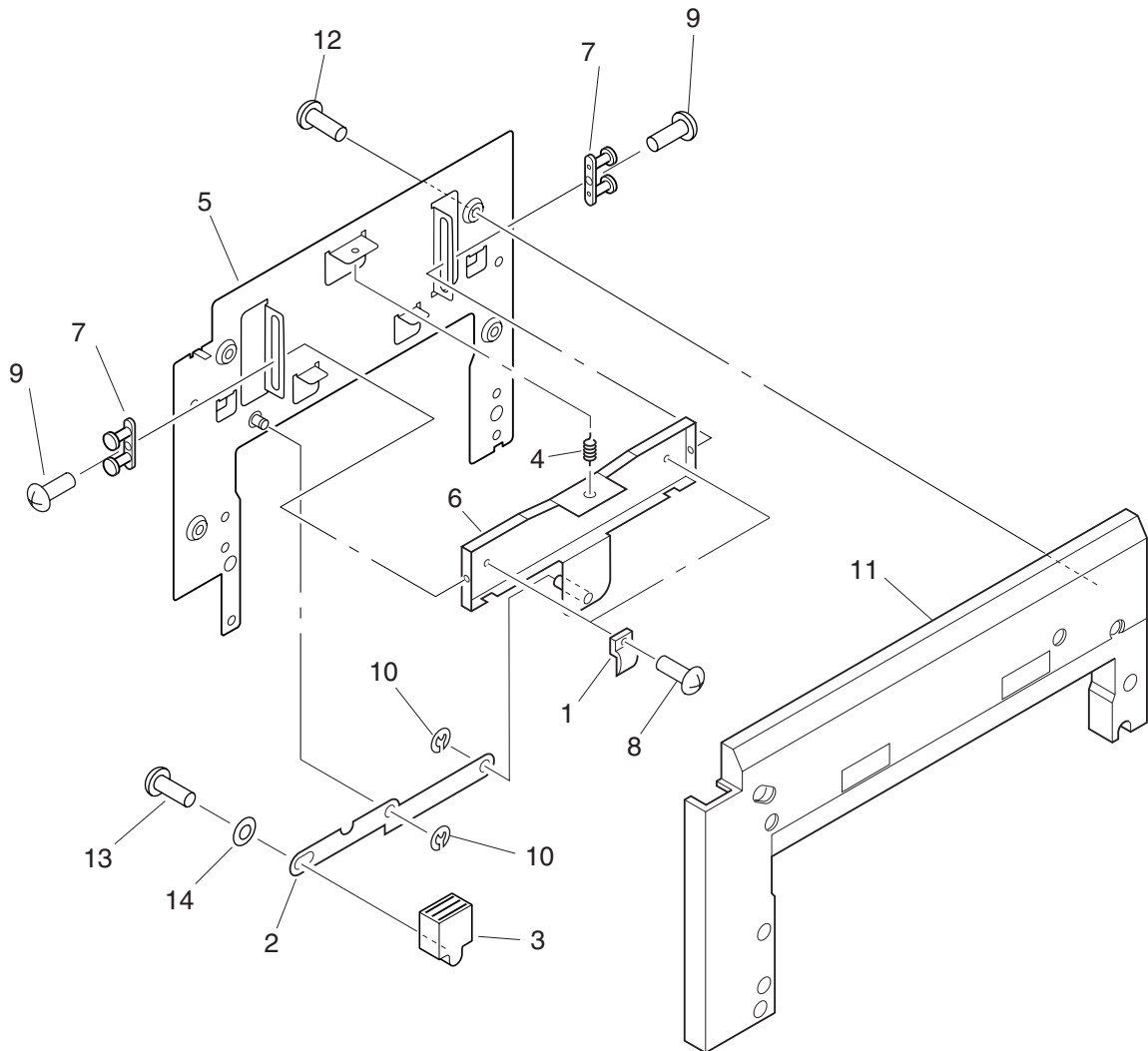






NOTE: This assembly does not include the part shown with item No. 23.





| ITEM NO. | PARTS NO. | PARTS NAME | Q'TY / PAGE | Q'TY / PACK | P | I | R | BSI NO. | TO | FROM | SERIAL NO. | REMARKS | C |
|----------|-------------|-----------------|-------------|-------------|---|---|---|---------|----|------|------------|---------|---|
| 0 | 44221061000 | ASM-LATCH-548-T | 1 | 1/PP | | | | | | | | | |
| 1 | 44210812000 | PLATE-LATCH-T | 2 | 1/P | | | | | | | | | |
| 2 | 44209942000 | ARM-LATCH | 1 | 1/P | | | | | | | | | |
| 3 | 44210814000 | HANDLE-LATCH-T | 1 | 1/P | | | | | | | | | |
| 4 | 44209943000 | SPE | 1 | 5/P | | | | | | | | | |
| 5 | 44221062000 | COVER-LATCH-R | 1 | 1/PP | | | | | | | | | |
| 6 | 44209945000 | BRKT-LATCH | 1 | 1/P | | | | | | | | | |
| 7 | 44209946000 | BRKT-SLIDE | 2 | 1/P | | | | | | | | | |
| 8 | X0-01815000 | S/FPAN-M3X6-ZB | 2 | 10/P | | | | | | | | | |
| 9 | X0-01741000 | S/BID-M3X4-ZB | 2 | 10/P | | | | | | | | | |
| 10 | 4402016800 | ERRING-5 | 2 | 50/P | | | | | | | | | |
| 11 | 44210817000 | COV-LATCH-T | 1 | 1/PP | | | | | | | | | |
| 12 | 4402015300 | PAN-XB47400809 | 4 | 50/P | | | | | | | | | |
| 13 | 4402015350 | PAN-XB47401009 | 1 | 50/P | | | | | | | | | |
| 14 | 4402016290 | OWAS-XD11105235 | 1 | 10/P | | | | | | | | | |

TOSHIBA

TOSHIBA TEC CORPORATION

1-1, KANDA NISHIKI-CHO, CHIYODA-KU, TOKYO, 101-8842 JAPAN